

HYMAX[®]

a **MUELLER** brand

HYMAX GRIP[®] ELBOW* (4" - 12" 45° AND 90°) Product Specifications

FEATURES

- Joins and restrains a wide range of pipe types at angles of either 45° or 90°
- Unique radial gripping system prevents pipe motion
- Universal gripping teeth fit metal and plastic pipes
- Ready to use, stab-fit design
- Allows 4° dynamic deflection, reducing future damage
- Durable ductile iron body
- Patented hydraulically-assisted gasket with 2-stage sealing

SPECIFICATIONS STANDARDS

- All products meet or exceed standards AWWA C219, NSF 61 and NSF 372.

SIZE

- Available in nominal diameter sizes 4" - 12" at 45° and 90° angles.

MATERIALS

END RINGS

- Ductile iron casting ASTM A536 Grade 60-40-18.

CENTER RING

- Ductile iron casting ASTM A536 Grade 65-45-12. All product sizes with lifting eye.



GASKETS

- EPDM compounded for water and sewage, meets international standards for contact with drinking water. NBR is available as MTO product upon request (made to order).

GRIP CHAIN

- AISI 420.

BRIDGE

- AISI 304 stainless steel.

SPHERICAL SPACERS

- AISI 304 stainless steel.

COATING

- 100% fusion bonded epoxy for enhanced corrosion protection.
- Nominal thickness 14 mm.

NUTS AND BOLTS

- AISI 304 stainless steel. Rolled thread and anti-galling coating.

*Registered patent



JOIN



REPAIR



RESTRAIN



TAP

MUELLER

PRODUCT PERFORMANCE

WORKING TEMPERATURE

- EPDM: -20° F up to +125° F

DYNAMIC DEFLECTION

- Up to 4° per side

MIN. PIPE INSERTION

- 3.6"

PRESSURES & ΔT

- ΔT - HDPE pipe expands and contracts with changes in temperature and exerts large pull-load forces on the coupling. ΔT for HDPE pipe is the change in temperature the coupling can withstand when installed on HDPE pipe.

MAXIMUM OUT OF ROUNDNESS

- 0.16"

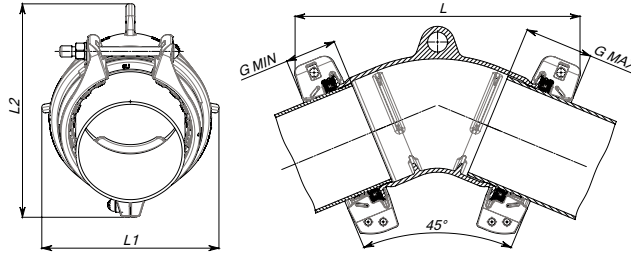
VACUUM TEST

- 12 psi

Standard Pressure GRIP

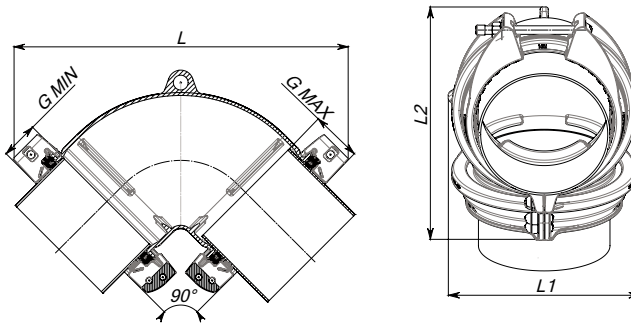
ND (inch)	Steel, DI, CI, PVC & SS	HDPE	
	Working Pressure (psi)	Working Pressure (psi)	ΔT for HDPE SDR 9 (°F)
4	232	232	85
6	232	232	85
8	232	193	50
10	232	163	50
12	232	155	35

PRODUCT TABLES



HYMAX GRIP ELBOW NOMINAL SIZES 4" - 12" 45 DEG.

HYMAX Part Number	Nominal Diameter (inch)	Overall Range (inch)	L (inch)	L1 (inch)	L2 (inch)	G - Max (inch)	Torque (ft-lb)	Bolts Qty. - Size (inch)	Approx. Weight (lbs)
893-56-04111-16	4	4.40 - 5.10	17.2	9.8	12.1	4.7	90	2 - 5/8	39.9
893-56-06165-16	6	6.50 - 7.20	19.7	11.9	14.3	4.7	110	2 - 5/8	53
893-56-08216-16	8	8.50 - 9.40	22.4	14.1	16.9	4.9	200	2 - 3/4	89.4
893-56-10270-16	10	10.65 - 11.55	25.2	16.2	19.3	4.9	200	2 - 3/4	121.1
893-56-12322-16	12	12.68 - 13.39	27.5	17.4	21.1	4.9	200	2 - 3/4	139.1



HYMAX GRIP ELBOW NOMINAL SIZES 4" - 12" 90 DEG.

HYMAX Part Number	Nominal Diameter (inch)	Overall Range (inch)	L (inch)	L1 (inch)	L2 (inch)	G - Max (inch)	Torque (ft-lb)	Bolts Qty. - Size (inch)	Approx. Weight (lbs)
894-56-04111-16	4	4.40 - 5.10	19.9	9	13.6	4.7	90	2 - 5/8	42.8
894-56-06165-16	6	6.50 - 7.20	24.3	10.4	15.9	4.7	110	2 - 5/8	55.7
894-56-08216-16	8	8.50 - 9.40	28.3	12.6	18.5	4.9	200	2 - 3/4	97.9
894-56-10270-16	10	10.65 - 11.55	31.1	16.6	20.9	4.9	200	2 - 3/4	132.1
894-56-12322-16	12	12.68 - 13.39	34.1	18.5	22.4	4.9	200	2 - 3/4	150.1

To learn more, visit HymaxUSA.com.

Mueller refers to one or more of Mueller Water Products, Inc., a Delaware corporation ("MWP"), and its subsidiaries. MWP and each of its subsidiaries are legally separate and independent entities when providing products and services. MWP does not provide products or services to third parties. MWP and each of its subsidiaries are liable only for their own acts and omissions and not those of each other. MWP brands include Mueller®, Echologics®, Hydro Gate®, Hydro-Guard®, HYMAX®, Krausz®, Jones®, MiNet®, Milliken®, Pratt®, Pratt Industrial®, Singer®, and U.S. Pipe Valve & Hydrant. Please see muellerwpp.com/brands to learn more.

© 2021 Mueller Co., LLC. All Rights Reserved. The trademarks, logos and service marks displayed in this document are the property of Mueller Co., LLC, its affiliates or other third parties. Products above marked with a section symbol (§) are subject to patents or patent applications. For details, visit www.mwppat.com. These products are intended for use in potable water applications. Please contact your Mueller Sales or Customer Service Representative concerning any other application(s).

