

HYMAX[®]

a **MUELLER** brand

HYMAX GRIP[®] CATHODIC COUPLING* (1.5" - 12") Product Specifications

FEATURES

- HYMAX GRIP restraint coupling with cathodic protection
- Joins and restrains a wide range of pipe types and diameters
- Unique radial gripping system prevents pipe motion
- Universal gripping teeth fit metal pipes
- Ready to use, stab-fit design
- Allows 4° dynamic deflection per end, reducing future damage
- Durable ductile iron body
- Patented hydraulically-assisted gasket with 2-stage sealing

SPECIFICATIONS STANDARDS

- HYMAX GRIP Cathodic meets or exceeds standards AWWA C219, NSF 61, NSF 372.

SIZE

- Available in nominal diameter from 1.5" - 12".

MATERIALS

END RINGS

- 1.5" - 3": Cast steel ASTM A216 WCB.
- 4" - 12": Ductile iron casting ASTM A536 Grade 60-40-18.

CENTER RING

- 1.5" - 12": Ductile iron casting ASTM A536 Grade 65-45-12.
- Product sizes 3" - 12" with handle.

*Registered patent



JOIN



REPAIR



RESTRAIN



TAP



GASKETS

- EPDM and NBR available. Both are compounded for water and sewage, meet international standards for contact with drinking water.

GRIP CHAIN

Gripping teeth:

- Sizes 1.5" - 3": AISI 440 C.
- Sizes 4" - 12": AISI 420 2B.

BRIDGE

- AISI 304 stainless steel.

SPHERICAL SPACERS

- AISI 304 stainless steel.

COATING

- 100% fusion bonded epoxy for enhanced corrosion protection.
- Nominal thickness 14 mm.

NUTS AND BOLTS

- AISI 304 stainless steel. Rolled thread and anti-galling coating.

MUELLER

PRODUCT PERFORMANCE

WORKING TEMPERATURE

- EPDM: -20° F up to +125° F
- NBR: -4° F up to +125° F

DYNAMIC DEFLECTION

- Up to 4° per side

MIN. PIPE INSERTION

- 3.6"

MAXIMUM OFFSET FOR MISALIGNED PIPES

- 0.25"

MAXIMUM OUT OF ROUNDNESS

- 1.5" - 3": 0.12"
- 4" - 12": 0.16"

WORKING PRESSURE

- 1.5" - 12": 232 psi

VACUUM TEST

- 12 psi

*See submittal drawings for details.

PRODUCT TABLES

TORQUE

ND (inch)	EPDM (ft-lb)	NBR (ft-lb)
1.5	50	50
2.5	50	50
3	50	50
4	90	105
6	110	110
8	200	200
10	200	200
12	200	200

PRODUCT CONFIGURATIONS

The product is offered in several different configurations. Note that the "xx" marking in the Cat. no. should be replaced as directed:

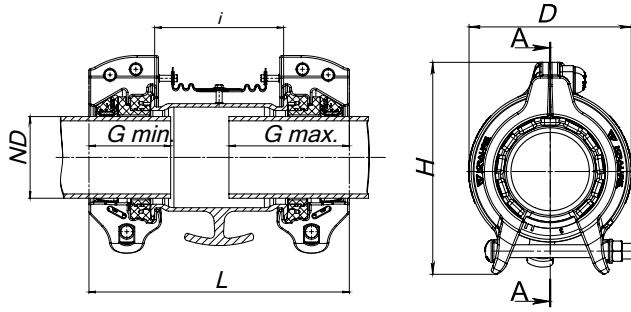
Part Number 889-XX

56 - Standard Pressure Grip with EPDM gasket

57 - Standard Pressure Grip with NBR gasket

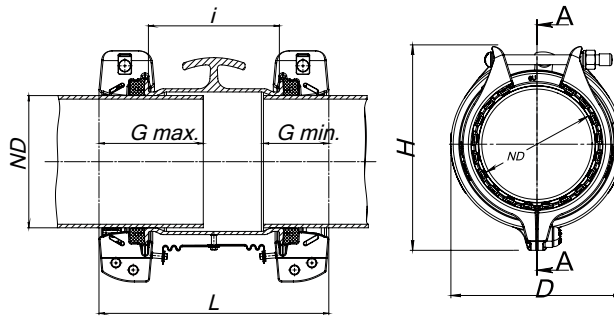
For example -

889-XX-015039-16 should be read as 889-56-015039-16 for EPDM gasket and 889-57-015039-16 for NBR gasket.



HYMAX GRIP CATHODIC NOMINAL SIZE 1.5" - 3"

HYMAX Part Number	ND (inch)	Overall Range (inch)	Before Removal of Inner Layer (inch)	After Removal of Inner Layer (inch)	i (inch)	L (inch)	D (inch)	H (inch)	G - Max Stab Depth (inch)	Bolts Qty. - Size	Approx. Weight (lbs)
889-XX-015039-16	1.5/2	1.54 - 2.64	1.54 - 2.20	2.17 - 2.64	3.93	10	5.35	7.48	4.5	2 - M14	15.45
889-XX-025059-16	2.5	2.32 - 3.43	2.32 - 2.99	2.95 - 3.43	3.93	10	6.18	8.07	4.5	2 - M14	20.26
889-XX-030080-16	3	3.15 - 4.17	3.15 - 3.74	3.70 - 4.17	5.9	11.93	6.93	9.06	5.5	2 - M14	25.53



HYMAX GRIP CATHODIC NOMINAL SIZE 1.5" - 3"

HYMAX Part Number	ND (inch)	Overall Range (inch)	i (inch)	L (inch)	D (inch)	H (inch)	G - Max Stab Depth (inch)	Bolts Qty. - Size	Approx. Weight (lbs)
889-XX-04111-16	4	4.40 - 5.10	5.9	11.4	8.7	10.6	5.3	2 - 5/8	32
889-XX-06165-16	6	6.50 - 7.20	7.3	12.8	10.9	12.9	5.9	2 - 5/8	43
889-XX-08216-16	8	8.50 - 9.40	7.3	13.3	13.8	15.7	6.1	2 - 3/4	74
889-XX-10270-16	10	10.65 - 11.55	7.3	13.5	16.2	18.2	6.3	2 - 3/4	92
889-XX-12322-16	12	12.68 - 13.39	7.3	13.5	17.4	19.8	6.3	2 - 3/4	100

To learn more, visit HymaxUSA.com.

Mueller refers to one or more of Mueller Water Products, Inc., a Delaware corporation ("MWP"), and its subsidiaries. MWP and each of its subsidiaries are legally separate and independent entities when providing products and services. MWP does not provide products or services to third parties. MWP and each of its subsidiaries are liable only for their own acts and omissions and not those of each other. MWP brands include Mueller®, Echologics®, Hydro Gate®, Hydro-Guard®, HYMAX®, Krausz®, Jones®, Mi.Net®, Milliken®, Pratt®, Pratt Industrial®, Singer®, and U.S. Pipe Valve & Hydrant. Please see muellerwp.com/brands to learn more.

© 2021 Mueller Co., LLC. All Rights Reserved. The trademarks, logos and service marks displayed in this document are the property of Mueller Co., LLC, its affiliates or other third parties. Products above marked with a section symbol (§) are subject to patents or patent applications. For details, visit www.mwppat.com. These products are intended for use in potable water applications. Please contact your Mueller Sales or Customer Service Representative concerning any other application(s).

F 14516 PS0046 8/21

