

# HYMAX<sup>®</sup>

a **MUELLER** brand

## HYMAX GRIP<sup>®</sup> END CAP\* (1.5" - 12")

### Product Specifications

#### FEATURES

- Caps a wide range of piping types and diameters
- Unique radial gripping system
- Universal gripping teeth fit metal and plastic pipes
- Ready to use, stab-fit design
- Allows 4° dynamic deflection, reducing future damage
- Durable ductile iron body
- Patented hydraulically-assisted gasket with 2-stage sealing

#### SPECIFICATIONS STANDARDS

- HYMAX GRIP end cap meets or exceeds standards AWWA C219, NSF 61, NSF 372.

#### SIZE

- Available in nominal diameter from 1.5" - 12" standard.

#### MATERIALS

##### END CAP BODY

- Ductile iron casting ASTM A536 Grade 65-45-12.
- Threaded outlet 2" NPT.
- Product sizes 3" - 12" with handle.

##### END RINGS

- 1.5" - 3" cast steel ASTM A216 WCB.
- 4" - 12" ductile iron casting ASTM A536 Grade 65-45-12.



#### GASKETS

- EPDM and NBR available. Both are compounded for water and sewage, meet international standards for contact with drinking water. Products with NBR are MTO (made to order).

#### GRIP CHAIN

- Gripping teeth:
  - Sizes 1.5" - 3": Fe4Ni05Mo.
  - Sizes 4" - 12": AISI 420 2B.
  - Sizes 4" - 12" High Pressure: Fe4Ni05Mo.

#### BRIDGE

- AISI 304 stainless steel.

#### SPHERICAL SPACERS

- AISI 304 stainless steel.

#### COATING

- 100% fusion bonded epoxy for enhanced corrosion protection.
- Average thickness 14 mm.

#### NUTS AND BOLTS

- AISI 304 stainless steel. Rolled thread and anti-galling coating.



JOIN



REPAIR



RESTRAIN



TAP

**MUELLER**

# PRODUCT PERFORMANCE (\*)

## WORKING TEMPERATURE

- EPDM: -20° F up to +125° F
- NBR: -4° F up to +125° F

## DYNAMIC DEFLECTION

- Up to 4°

## MINIMUM PIPE INSERTION

- 3.6"

## PRESSURE

ND (inch)	Standard Pressure GRIP	
	Steel, DI, CI, PVC & SS	HDPE
	Working Pressure (psi)	Working Pressure (psi)
1.5/2	232	232
2.5	232	232
3	232	232
4	232	232
6	232	232
8	232	193
10	232	163
12	232	155

## MAXIMUM PIPE INSERTION

- See tables below

## MAXIMUM OUT OF ROUNDNESS

- 1.5" - 3": 0.12"
- 4" - 12": 0.16"

## VACUUM TEST

- 12 psi

ND (inch)	High Pressure GRIP
	Steel, DI, CI, PVC, SS & HDPE
	Working Pressure (psi)
4	250
6	250
8	250
10	250
12	250

\* See submittal drawings for details.

# PRODUCT TABLES

## TORQUE

ND (inch)	EPDM (ft-lb)	NBR (ft-lb)
1.5/2	50	50
2.5	50	50
3	50	50
4	90	105
6	110	110
8	200	200
10	200	200
12	200	200

## PRODUCT CONFIGURATIONS

The product is offered in several different configurations. Note that the "xx" marking in the Cat. no. should be replaced as directed:

Part Number 867-XX

56 - Standard Pressure Grip with EPDM gasket

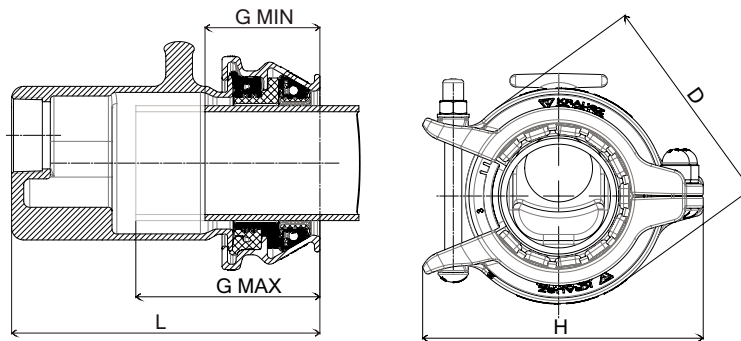
57 - Standard Pressure Grip with NBR gasket

58 - High Pressure Grip with EPDM gasket

59 - High Pressure Grip with NBR gasket

### For example -

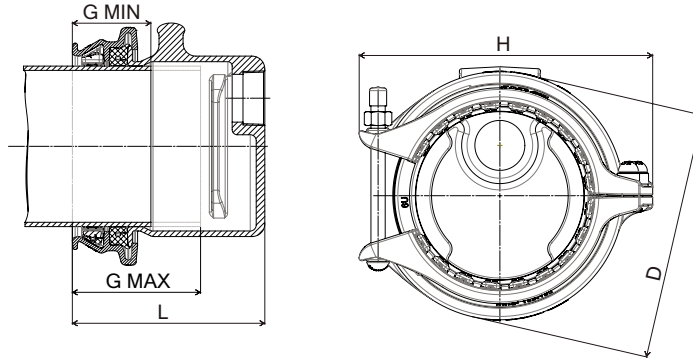
867-XX-025059-16 should be read as 867-56-025059-16 for EPDM gasket and 867-57-025059-16 for NBR gasket.



## HYMAX GRIP END CAP NOMINAL SIZES 1.5" - 3" \*

HYMAX Part Number	Nominal Diameter (inch)	Overall Range (inch)	Before Removal of the Inner Layer (inch)	After Removal of the Inner Layer (inch)	L (inch)	D (inch)	H (inch)	G - Max Stab Depth (inch)	Bolts Qty. - Size	Approx. Weight (lbs)
867-XX-015039-16	1.5/2	1.54 - 2.64	1.54 - 2.20	2.17 - 2.64	6.8	5.35	7.48	4.7	1 - M14	10.52
867-XX-025059-16	2.5	2.32 - 3.43	2.32 - 2.99	2.95 - 3.43	8.3	6.18	8.07	5.7	1 - M14	15.34
867-XX-030080-16	3	3.15 - 4.17	3.15 - 3.74	3.70 - 4.17	10	6.93	9.06	6.3	1 - M14	20.28

\*Only configurations 56 and 57 are relevant for sizes 1.5" - 3"



## HYMAX GRIP END CAP NOMINAL SIZES 4" - 12"

HYMAX Part Number	Nominal Diameter (inch)	Overall Range (inch)	L (inch)	D (inch)	H (inch)	G - Max Stab Depth (inch)	Bolts Qty. - Size	Approx. Weight (lbs)
<b>867-XX-04111-16</b>	4	4.40 - 5.10	8.1	8.7	10.6	5.3	1 - 5/8	24
<b>867-XX-06165-16</b>	6	6.50 - 7.20	8.9	10.9	12.9	5.9	1 - 5/8	33
<b>867-XX-08216-16</b>	8	8.50 - 9.40	9.1	13.8	15.7	6.2	1 - 3/4	55.2
<b>867-XX-10270-16</b>	10	10.65 - 11.55	9.1	16.2	18.2	6.2	1 - 3/4	74.8
<b>867-XX-12322-16</b>	12	12.68 - 13.39	9.1	17.4	19.8	6.2	1 - 3/4	86.6

To learn more, visit [HymaxUSA.com](http://HymaxUSA.com).

Mueller refers to one or more of Mueller Water Products, Inc., a Delaware corporation ("MWP"), and its subsidiaries. MWP and each of its subsidiaries are legally separate and independent entities when providing products and services. MWP does not provide products or services to third parties. MWP and each of its subsidiaries are liable only for their own acts and omissions and not those of each other. MWP brands include Mueller®, Echologics®, Hydro Gate®, Hydro-Guard®, HYMAX®, Krausz®, Jones®, Mi.Net®, Milliken®, Pratt®, Pratt Industrial®, Singer®, and U.S. Pipe Valve & Hydrant. Please see [muellerwp.com/brands](http://muellerwp.com/brands) to learn more.

© 2021 Mueller Co., LLC. All Rights Reserved. The trademarks, logos and service marks displayed in this document are the property of Mueller Co., LLC, its affiliates or other third parties. Products above marked with a section symbol (§) are subject to patents or patent applications. For details, visit [www.mwppat.com](http://www.mwppat.com). These products are intended for use in potable water applications. Please contact your Mueller Sales or Customer Service Representative concerning any other application(s).

