

HYMAX[®]

a **MUELLER** brand

HYMAX[®] 2 ELBOW 45° AND 90°* (2" - 12") Product Specifications

FEATURES

- Wide-range coupling with an elbow of 45° or 90° angle
- Patented hydraulically-assisted gasket easily flips in or out to accommodate larger ND pipes
- Using the game-changing HYMAX technology, proven in over 1M installations in North America
- Connecting a large variety of pipe materials
- Joins two pipes of the same or different diameters and materials
- Fast and easy installation, two top-facing bolts
- Dynamic deflection of 4° per end



SPECIFICATIONS STANDARDS

- HYMAX ELBOW meets or exceeds requirements of standards: AWWA C-219, NSF 61, NSF 372.

SIZE

- Available in nominal diameter from 2" - 12" standard.

MATERIALS END RINGS

- ASTM A283/A283M Grade C steel.

CENTER RING

- ASTM A53 Grade A steel.

GASKET

- EPDM Compounded for water and sewage in accordance to ASTM D2000, meets international standards for contact with drinking water.

BRIDGE

- AISI 304 stainless steel.

SPHERICAL SPACERS

- AISI 304L stainless steel.

COATING

- 100% fusion bonded epoxy for enhanced corrosion protection.
- Average thickness 14 mm.

NUTS & BOLTS

- AISI 304 stainless steel. Rolled thread and anti-galling coating.

* Registered Patent



JOIN



REPAIR



RESTRAIN



TAP

MUELLER

PRODUCT PERFORMANCE (*)

WORKING TEMPERATURE

- -20° F up to +125° F

DYNAMIC DEFLECTION

- Up to 4° per side

MIN. PIPE INSERTION

- 2.25"

MAXIMUM OUT OF ROUNDNESS

- 2" - 3": 0.2"
- 4" - 12": 0.31"

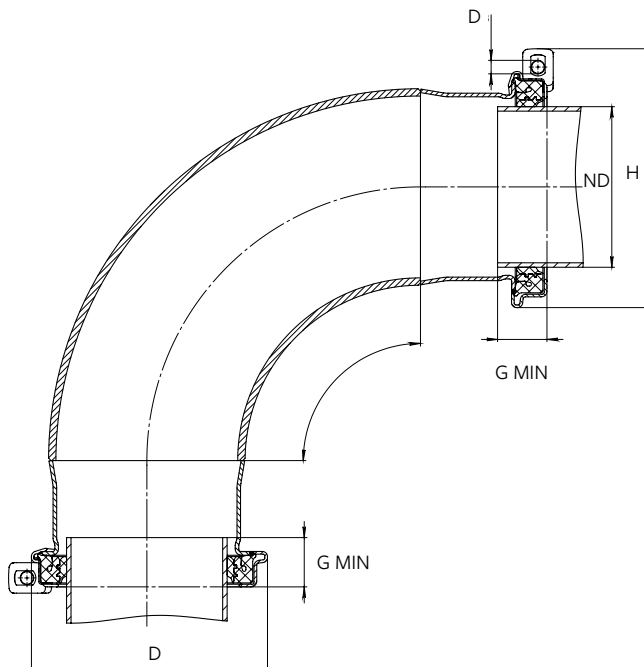
WORKING PRESSURE

- 260 psi

VACUUM TEST

- 12 psi

* See submittal drawings for details.



PRODUCT TABLES

HYMAX ELBOW 45° SIZES 2" - 12"

HYMAX Part Number	Nominal Diameter	Overall Range (inch)	Range In Closed Gasket Position (inch)	Range In Open Gasket Position (inch)	Bolts Qty. - Size (mm)	Torque (ft-lbs)	Approx. Weight (lbs)
869-54-45054-16	2	2.10 - 3.03	2.10 - 2.60	2.56 - 3.03	2 - M12	50	8.5
869-54-45088-16	3	3.46 - 4.33	3.46 - 3.90	3.86 - 4.33	2 - M12	50	13.5
869-54-45108-16	4	4.25 - 5.63	4.25 - 5.00	4.92 - 5.63	2 - M14	75	27
869-54-45130-16	5	5.12 - 6.38	5.12 - 5.75	5.71 - 6.38	2 - M14	75	50
869-54-45163-16	6	6.42 - 7.68	6.42 - 7.05	7.01 - 7.68	2 - M14	75	71.5
869-54-45190-16	7	7.48 - 8.74	7.48 - 8.11	8.07 - 8.74	2 - M14	75	73
869-54-45217-16	8	8.54 - 9.84	8.54 - 9.17	9.13 - 9.84	2 - M14	75	76.5
869-54-45272-16	10	10.70 - 12.00	10.70 - 11.37	11.33 - 12.00	2 - M14	75	90
869-54-45278-16	10	10.96 - 12.26	10.96 - 11.63	11.59 - 12.26	2 - M14	75	110
869-54-45315-16	12	12.40 - 13.66	12.40 - 13.03	12.99 - 13.66	2 - M14	80	155
869-54-45334-16	12	13.15 - 14.41	13.15 - 13.78	13.74 - 14.41	2 - M14	80	190

HYMAX ELBOW 90° SIZES 2" - 12"

HYMAX Part Number	Nominal Diameter	Overall Range (inch)	Range In Closed Gasket Position (inch)	Range In Open Gasket Position (inch)	Bolts Qty. - Size (mm)	Torque (ft-lbs)	Approx. Weight (lbs)
869-54-90054-16	2	2.10 - 3.03	2.10 - 2.60	2.56 - 3.03	2 - M12	50	11
869-54-90088-16	3	3.46 - 4.33	3.46 - 3.90	3.86 - 4.33	2 - M12	50	17.5
869-54-90108-16	4	4.25 - 5.63	4.25 - 5.00	4.92 - 5.63	2 - M14	75	35
869-54-90130-16	5	5.12 - 6.38	5.12 - 5.75	5.71 - 6.38	2 - M14	75	65
869-54-90163-16	6	6.42 - 7.68	6.42 - 7.05	7.01 - 7.68	2 - M14	75	92
869-54-90190-16	7	7.48 - 8.74	7.48 - 8.11	8.07 - 8.74	2 - M14	75	95
869-54-90217-16	8	8.54 - 9.84	8.54 - 9.17	9.13 - 9.84	2 - M14	75	99
869-54-90272-16	10	10.70 - 12.00	10.70 - 11.37	11.33 - 12.00	2 - M14	75	130
869-54-90278-16	10	10.96 - 12.26	10.96 - 11.63	11.59 - 12.26	2 - M14	75	142
869-54-90315-16	12	12.40 - 13.66	12.40 - 13.03	12.99 - 13.66	2 - M14	80	199
869-54-90334-16	12	13.15 - 14.41	13.15 - 13.78	13.74 - 14.41	2 - M14	80	247.5

To learn more, visit HymaxUSA.com.

Mueller refers to one or more of Mueller Water Products, Inc., a Delaware corporation ("MWP"), and its subsidiaries. MWP and each of its subsidiaries are legally separate and independent entities when providing products and services. MWP does not provide products or services to third parties. MWP and each of its subsidiaries are liable only for their own acts and omissions and not those of each other. MWP brands include Mueller®, Echologics®, Hydro Gate®, Hydro-Guard®, HYMAX®, Krausz®, Jones®, Mi.Net®, Milliken®, Pratt®, Pratt Industrial®, Singer®, and U.S. Pipe Valve & Hydrant. Please see muellerwp.com/brands to learn more.

© 2021 Mueller Co., LLC. All Rights Reserved. The trademarks, logos and service marks displayed in this document are the property of Mueller Co., LLC, its affiliates or other third parties. Products above marked with a section symbol (§) are subject to patents or patent applications. For details, visit www.mwppat.com. These products are intended for use in potable water applications. Please contact your Mueller Sales or Customer Service Representative concerning any other application(s).

F 14528 PS0057 8/21

