

# HYMAX<sup>®</sup>

a **MUELLER** brand

## HYMAX<sup>®</sup> 2 WITH THREADED OUTLET (1.5" - 12") Product Specifications

### FEATURES

- Advanced wide-range coupling with a patented flip gasket
- Eliminates gasket removal mistakes and maximizes installer work efficiency
- Using the game-changing HYMAX technology, proven in over 1M installations in North America
- Suitable for all types of pipes - ductile iron, cast iron, steel, copper, PE, PVC, AC, GRP
- Patented hydraulically-assisted gasket with 2-stage sealing
- Lightweight construction enables fast and easy installation
- Allows 4° dynamic deflection, reducing future pipe damage
- One product can connect pipes of two different materials

### SPECIFICATIONS STANDARDS

- HYMAX with threaded outlet meets or exceeds requirements of standards: AWWA C-219, NSF-61, NSF 372.

### SIZE

- Available in nominal diameter from 1.5" - 12" standard.

### MATERIALS END RINGS

- ASTM A283/A283M Grade C steel.

### CENTER RING

- ASTM A53 Grade A steel.

### GASKET

- EPDM Compounded for water and sewage in accordance to ASTM D2000, meets international standards for contact with drinking water.



### BRIDGE

- Type AISI 304 stainless steel.

### SPHERICAL SPACERS

- AISI 304 stainless steel.

### OUTLET

- Threaded coupling NPT Class 3000, meets ANSI B16.11.

### COATING

- 100% fusion bonded epoxy for enhanced corrosion protection.
- Average thickness 14 mm

### NUTS, BOLTS & WASHERS

- AISI 304 stainless steel.



JOIN



REPAIR



RESTRAIN



TAP

**MUELLER**

## PRODUCT PERFORMANCE (\*)

### WORKING TEMPERATURE

- -20° F up to +125° F

### DYNAMIC DEFLECTION

- Up to 4° per side (not for outlet)

### MIN. PIPE INSERTION

- 2.25"

### MAXIMUM OFFSET FOR MISALIGNED PIPES

- ND 1.5" - 3": 0.39"
- ND 4" - 12": 0.51"

### MAXIMUM OUT OF ROUNDNESS

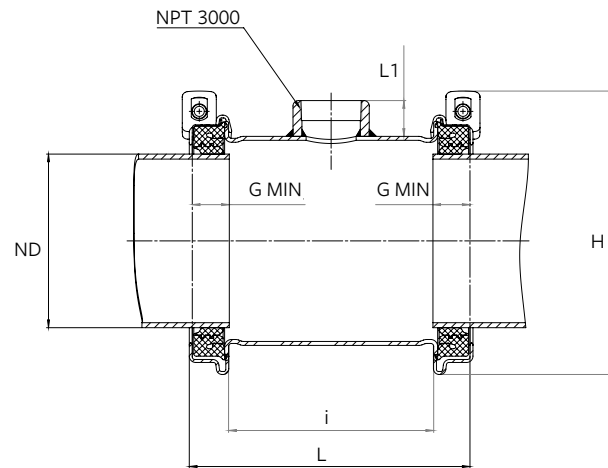
- ND 1.5": 0.08"
- ND 2" - 3": 0.20"
- ND 4" - 12": 0.31"

### WORKING PRESSURE

- 260 psi

### VACUUM TEST

- 12 psi



\* See submittal drawings for details.

# PRODUCT TABLES

## HYMAX2 WITH THREADED OUTLET NOMINAL SIZES 1.5"-12"

| HYMAX Part Number | Nominal Diameter (inch) | Outlet Options (inch) | Overall Range (inch) | Range in Closed Gasket Position (inch) | Range in Open Gasket Position (inch) | Bolt Qty. and Size (mm) | Torque (ft-lbs) | Approx. Weight (lbs) |
|-------------------|-------------------------|-----------------------|----------------------|--|--------------------------------------|-------------------------|-----------------|----------------------|
| 865-54-01041-16   | 1.5                     | 1                     | 1.61 - 2.13          | 1.61 - 1.97                            | 1.96 - 2.13                          | 2 - M12                 | 35              | 6                    |
| 865-54-XX054-16*  | 2                       | 1 - 1.5               | 2.10 - 3.03          | 2.10 - 2.60                            | 2.56 - 3.03                          | 2 - M12                 | 50              | 8 - 9.5              |
| 865-54-XX088-16   | 3                       | 1 - 2                 | 3.46 - 4.33          | 3.46 - 3.90                            | 3.86 - 4.33                          | 2 - M12                 | 50              | 11 - 13.2            |
| 865-54-XX108-16   | 4                       | 1 - 2                 | 4.25 - 5.63          | 4.25 - 5.00                            | 4.92 - 5.63                          | 2 - M14                 | 75              | 16 - 18.2            |
| 865-54-XX163-16   | 6                       | 1 - 4                 | 6.42 - 7.68          | 6.42 - 7.05                            | 7.01 - 7.68                          | 2 - M14                 | 75              | 24 - 35.5            |
| 865-54-XX217-16   | 8                       | 1 - 4                 | 8.54 - 9.84          | 8.54 - 9.17                            | 9.13 - 9.84                          | 2 - M14                 | 75              | 29 - 40.5            |
| 865-54-XX272-16   | 10                      | 1 - 4                 | 10.70 - 12.00        | 10.70 - 11.37                          | 11.33 - 12.00                        | 2 - M14                 | 75              | 34 - 45.5            |
| 865-54-XX278-16   | 10                      | 1 - 4                 | 10.96 - 12.26        | 10.96 - 11.63                          | 11.59 - 12.26                        | 2 - M14                 | 75              | 34 - 45.5            |
| 865-54-XX315-16   | 12                      | 1 - 4                 | 12.40 - 13.66        | 12.40 - 13.03                          | 12.99 - 13.66                        | 2 - M14                 | 80              | 40 - 51.5            |
| 865-54-XX334-16   | 12                      | 1 - 4                 | 13.15 - 14.41        | 13.15 - 13.78                          | 13.74 - 14.41                        | 2 - M14                 | 80              | 40 - 51.5            |

### FOR EXAMPLE 865-54-XX163-16 MAY BE:

| HYMAX Part Number | Nominal Diameter (inch) | Outlet (inch) | Outlet L1 (inch) |
|-------------------|-------------------------|---------------|------------------|
| 865-54-01163-16   | 6                       | 1             | 1.18             |
| 865-54-15163-16   | 6                       | 1.5           | 1.56             |
| 865-54-02163-16   | 6                       | 2             | 1.69             |
| 865-54-03163-16   | 6                       | 3             | 2.13             |
| 865-54-04163-16   | 6                       | 4             | 2.36             |

**To learn more, visit [HymaxUSA.com](http://HymaxUSA.com).**

Mueller refers to one or more of Mueller Water Products, Inc., a Delaware corporation ("MWP"), and its subsidiaries. MWP and each of its subsidiaries are legally separate and independent entities when providing products and services. MWP does not provide products or services to third parties. MWP and each of its subsidiaries are liable only for their own acts and omissions and not those of each other. MWP brands include Mueller®, Echologics®, Hydro Gate®, Hydro-Guard®, HYMAX®, Krausz®, Jones®, Mi.Net®, Milliken®, Pratt®, Pratt Industrial®, Singer®, and U.S. Pipe Valve & Hydrant. Please see [muellerwp.com/brands](http://muellerwp.com/brands) to learn more.

© 2021 Mueller Co., LLC. All Rights Reserved. The trademarks, logos and service marks displayed in this document are the property of Mueller Co., LLC, its affiliates or other third parties. Products above marked with a section symbol (§) are subject to patents or patent applications. For details, visit [www.mwppat.com](http://www.mwppat.com). These products are intended for use in potable water applications. Please contact your Mueller Sales or Customer Service Representative concerning any other application(s).

F 14530 PS0054 8/21

