

HYMAX[®]

a **MUELLER** brand

HYMAX[®] COUPLING (14" - 60")

Product Specifications

FEATURES

- Game-changing wide-range coupling, proven in over 1 million installations in the US
- Suitable for all types of pipes - ductile iron, cast iron, steel, copper, PE, PVC, AC, GRP
- Patented hydraulically-assisted gasket with 2-stage sealing
- Lightweight construction enables fast and easy installation
- Allows 4° dynamic deflection on each end, reducing future damage
- One product can connect pipes of two different materials

SPECIFICATIONS STANDARDS

- HYMAX meets or exceeds standards NSF 61, NSF 372.

SIZE

- Available in nominal diameter from 14" - 60". Call Mueller for details.

MATERIALS

END RINGS

- 14" - 16" ASTM A283/A283M Grade C steel (or ductile iron casting ASTM A536 Grade 65-45-12).
- 18" - 60" ASTM A283/A283M Grade C steel.

CENTER RINGS

- 14" - 60" ASTM A283/A283M Grade C steel.



GASKETS

- EPDM and NBR available. Both are compounded for water and sewage, meet international standards for contact with drinking water.

BRIDGE

- AISI 304 stainless steel.

SPHERICAL SPACERS

- AISI 304 stainless steel.

COATING

- 100% fusion bonded epoxy for enhanced corrosion protection.
- Nominal thickness 14 mm.

NUTS AND BOLTS

- AISI 304 stainless steel. Rolled thread and anti-galling coating.



JOIN



REPAIR



RESTRAIN



TAP

MUELLER

PRODUCT PERFORMANCE (*)

WORKING TEMPERATURE

- EPDM: -20° F up to +125° F
- NBR: -4° F up to +125° F

DYNAMIC DEFLECTION

- Up to 4° per side

MIN. PIPE INSERTION

- 14" - 60": 4"

MAXIMUM OFFSET FOR MISALIGNED PIPES

- 14" - 60": 0.51"

MAXIMUM OUT OF ROUNDNESS

- 14" - 60": 0.51"

WORKING PRESSURE

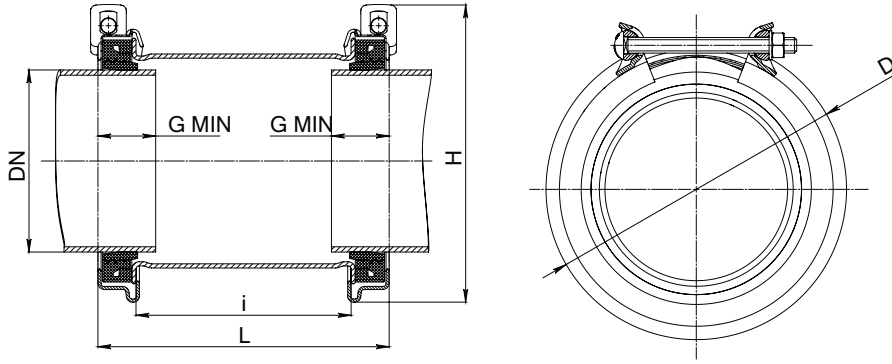
- 14" - 16": 260 psi
- 18" - 24": 232 psi
- 26" - 60": Call Mueller for details.

VACUUM TEST

- 12 psi

*See submittal drawings for details.

PRODUCT TABLES



PRODUCT CONFIGURATIONS

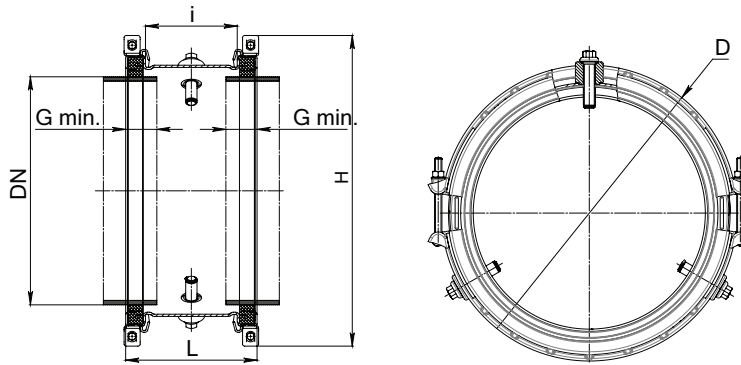
The product is offered in several different configurations. Note that the "xx" marking in the Cat. no. should be replaced as directed:

Part Number 860-XX

56 - EPDM gasket

57 - NBR gasket

860-XX-0054-16 should be read as 860-56-0054-16 for EPDM gasket and 860-57-0054-16 for NBR gasket.



HYMAX NOMINAL SIZES 14" - 24"

HYMAX Part Number	ND (inch)	Overall Range (inch)	Before Removal of the Inner Layer (inch)	After Removal of the Inner Layer (inch)	D (inch)	H (inch)	i (inch)	L (inch)	G - Min Pipe Insert (inch)	Bolts Qty. and Size (mm)	Torque (ft-lb)	Working Pressure (psi)	Rated Pressure (psi)	Approx. Weight (lbs)
860-56-0378-16P	14	15.00 - 17.10	15.00 - 16.10	16.02 - 17.10	021.0	23.2	8.0	11.6	4.0	4 - M16	150	260	390	92
860-56-0434-16P	16	17.10 - 19.20	17.10 - 18.19	18.11 - 19.20	023.2	25.6	8.0	11.6	4.0	4 - M16	150	260	390	101
860-56-0488-16P	18	19.20 - 21.30	19.20 - 20.29	20.21 - 21.30	025.3	27.8	8.0	11.6	4.0	4 - M16	150	232	350	101
860-56-0497-16P	20	19.60 - 21.70	19.60 - 20.69	20.61 - 21.70	025.6	28.1	8.0	11.6	4.0	4 - M16	150	232	350	105
860-56-0540-16P	20	21.25 - 23.35	21.25 - 22.35	22.27 - 23.35	027.3	29.8	8.0	11.6	4.0	4 - M16	150	232	350	110
860-56-0606-16P	24	23.85 - 25.95	23.85 - 24.96	24.88 - 25.95	029.1	31.7	8.0	11.6	4.0	4 - M16	150	232	350	120
860-56-0624-16P	24	24.60 - 26.7	24.60 - 25.67	25.59 - 26.70	030.6	33.2	8.0	11.6	4.0	4 - M16	150	232	350	120

HYMAX 26" - 60" - MTO (made to order) available

For specific sizes of products in stock, call Mueller for details.

To learn more, visit HymaxUSA.com.

Mueller refers to one or more of Mueller Water Products, Inc. (MWP), a Delaware corporation, and its subsidiaries. MWP and each of its subsidiaries are legally separate and independent entities when providing products and services. MWP does not provide products or services to third parties. MWP and each of its subsidiaries are liable only for their own acts and omissions and not those of each other. Mueller brands include Mueller®, Echologics®, Hydro Gate®, Hydro-Guard®, HYMAX®, iZO®, Jones®, Krausz®, Mi.Net®, Milliken®, Pratt®, Pratt Industrial®, Singer®, and U.S. Pipe Valve & Hydrant. Please see muellerwp.com/brands to learn more.

© 2021 Mueller Co., LLC. All Rights Reserved. The trademarks, logos and service marks displayed in this document are the property of Mueller Co., LLC, its affiliates or other third parties. Products above marked with a section symbol (§) are subject to patents or patent applications.

For details, visit www.mwppat.com. These products are intended for use in potable water applications. Please contact your Mueller Sales or Customer Service Representative concerning any other application(s).

F 14540 PS0006 8/21

