

HYMAX[®]

a **MUELLER** brand

HYMAX CLAMP[®]

Wide-Range Repair Solution



JOIN



REPAIR



RESTRAIN



TAP

MUELLER

THE HYMAX CLAMP SOLUTIONS

Adjusting Pin
Precision casting type
AISI 304 stainless steel

Gasket Bridge
Type AISI 304
stainless steel

Lugs
Polycarbonate

Gasket
EPDM compounded for water
and sewage*

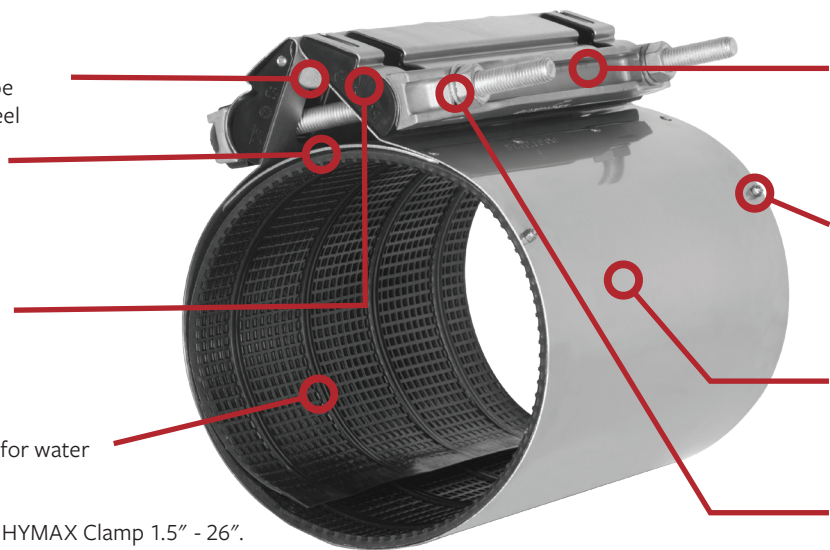
*Picture is based on HYMAX Clamp 1.5" - 26".
Features may vary between different product sizes.

Compression Beam
Precision casting type AISI 304
stainless steel (ASTM-A351-CF8)

Insulated Bolts
Used to secure the gasket

Body
Type AISI 304 stainless steel

Nuts & Bolts
Type AISI 304 stainless steel.
Rolled thread and anti-galling coating



HYMAX CLAMP REPAIR SOLUTION



HYMAX CLAMP
6" LENGTH

Nominal pipe size
1.5" - 12"



HYMAX CLAMP
9" LENGTH

Nominal pipe size
1.5" - 12"



HYMAX CLAMP
12" LENGTH

Nominal pipe size
1.5" - 26"



HYMAX CLAMP
24" LENGTH

Nominal pipe size
4" - 26"



HYMAX CLAMP
15" LENGTH

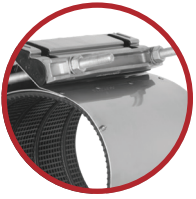
Nominal pipe size
4" - 26"



HYMAX CLAMP
WITH OUTLET
15" LENGTH

Nominal pipe size
4" - 12"

THE HYMAX CLAMP FAMILY FEATURES



EASY TO USE

- With only 2 - 4 bolts to tighten, installation is easy and minimizes worker-time in the ditch.
- One piece design, ready to use out of the box.
- No need to re-torque bolts.
- Patented bolt holder enables one-person installation.
- With a single top-facing locking mechanism (clamps up to 12") or two top-facing locking mechanisms (14" - 24").
- Wraparound clamp that can slide along the pipe before final positioning and closing.



DURABLE AND LONG-LIFE DESIGN

- All metal parts are made from 100% stainless steel.
- Once installed, HYMAX Clamp becomes a permanent part of the pipe.
- HYMAX Clamp's single-fold design eliminates welding and fortifies corrosion resistance.
- One-piece design delivers enhanced strength and flexibility.
- Gasket is securely connected to the body of the clamp with insulated bolts, not glue.



WIDE RANGE PORTFOLIO

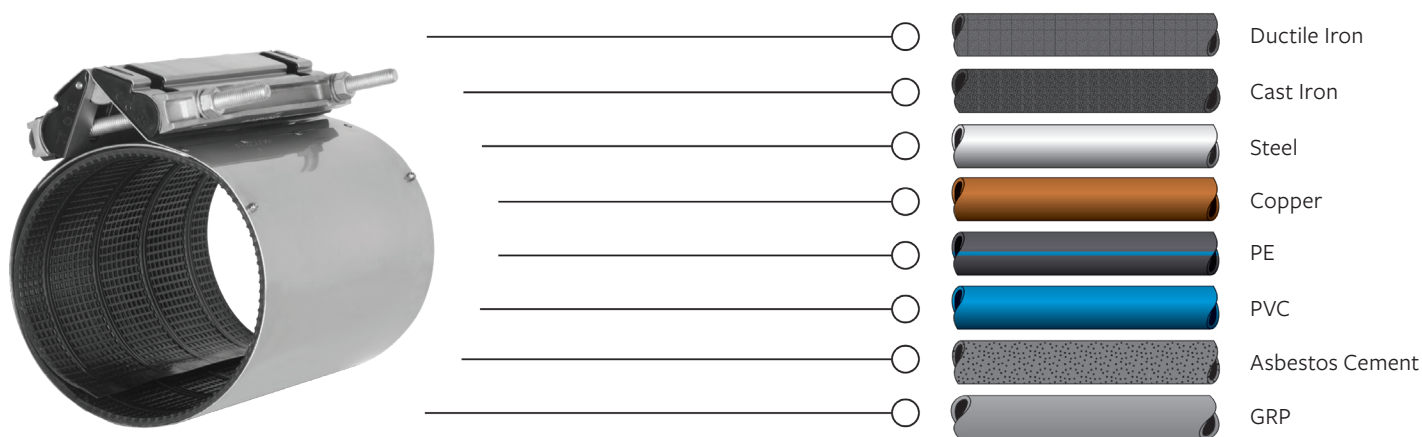
- HYMAX Clamp has an extra-wide work range of up to 1.6" that can be used on a range of pipe sizes and materials.
- HYMAX wide range clamps can replace up to 3 standard clamps.



FLEXIBLE CONNECTION

- Mat-type gasket with pressure ring sealing capabilities for superior sealing.
- Patented reinforced material embedded on back of gasket to prevent creeping and loss of torque.
- Advanced molecular anti-galling (MAG) on nuts and bolts, prevents galling and enables repeated bolt tightening; it also eliminates the need for grease, preventing dust and dirt build-up.

ADDRESSING THE COMPLETE RANGE OF PIPE TYPES



THERE ARE TWO PRODUCT TYPES IN THE HYMAX CLAMP FAMILY – HYMAX CLAMP WRAPAROUND REPAIR CLAMP AND NEW HYMAX CLAMP WITH OUTLET.

- Repair holes as well as longitudinal cracks in water and wastewater pipes
- Reduces inventory and on-vehicle product stock since one HYMAX pipe repair clamp can be used to replace up to three traditional competitors' clamps
- Extremely efficient and cost effective
- Reliable and easy to install
- Only two bolts to tighten (for lengths and sizes up to 12")
- The reinforced bolt holders (registered patent) enable easy installation by one person working alone

About HYMAX®

HYMAX, a Mueller brand, develops, designs, and manufactures market-leading products for repairing and connecting different types of pipes for both potable water and sewage. In more than 160 years of combined industry leadership with Mueller, and millions of installations worldwide, HYMAX has earned solid reputations for providing innovative, high-quality products, that meet installers' field needs.

HYMAX offers a full line of solutions, including standard products that range from 1.5" to 85" and custom-made products according to customers' requirements. The wide-range coupling introduced unprecedented ease of use, with a radial closing mechanism of only 2 - 4 top-facing bolts, enabling faster and safer installation.

Our company is built by industry experts with extensive field experience. Therefore, we can better understand the challenges of the installer and provide real solutions. The HYMAX product line saves costs by reducing inventory and providing long lasting value. Offering extreme durability and outstanding connection flexibility, these products prevent future pipe damage, delivering long-lasting value.

For more information about us or to view our full line of water products, please visit HymaxUSA.com or call HYMAX customer service at 855.457.2879.

Mueller refers to one or more of Mueller Water Products, Inc., a Delaware corporation ("MWP"), and its subsidiaries. MWP and each of its subsidiaries are legally separate and independent entities when providing products and services. MWP does not provide products or services to third parties. MWP and each of its subsidiaries are liable only for their own acts and omissions and not those of each other. MWP brands include Mueller®, Echologics®, Hydro Gate®, Hydro-Guard®, HYMAX®, Krausz®, Jones®, Mi.Net®, Milliken®, Pratt®, Pratt Industrial®, Sentryx™, Singer®, and U.S. Pipe Valve & Hydrant. Please see muellerwpp.com/brands to learn more.

© 2023 Mueller Co., LLC. All Rights Reserved. The trademarks, logos and service marks displayed in this document are the property of Mueller Co., LLC., its affiliates or other third parties. Products above marked with a section symbol (§) are subject to patents or patent applications. For details, visit www.mwppat.com. These products are intended for use in potable water applications. Please contact your HYMAX Sales or Customer Service Representative concerning any other application(s).

