

HYMAX[®]

a **MUELLER** brand

HYMAX[®] 2 COUPLING (1.5" - 12")

Product Specifications

FEATURES

- Advanced wide-range coupling with a patented flip gasket
- Eliminates gasket removal mistakes and maximizes installer work efficiency
- Only 2 top facing bolts, for faster and safer installation
- Ready-to-use design to eliminate extensive under-pipe digging
- Allows 4° dynamic deflection on each end, reducing future pipe damage
- Patented hydraulically-assisted gasket with 2-stage sealing
- Suitable for all types of pipes - ductile iron, cast iron, steel, copper, PE, PVC and AC
- One product can connect pipes of two different materials
- Based on the game-changing HYMAX that has been field-proven in millions of installations in the US
- Product performance, OD range and pressures are identical to those of the original HYMAX
- Lifting T-handle exists in sizes 3" - 12" only

SPECIFICATIONS STANDARDS

- HYMAX 2 meets or exceeds standards AWWA C219, NSF 61, NSF 372.

SIZE

- Available in nominal diameter from 1.5" - 12" standard. Call Mueller for details.

MATERIALS

END RINGS

- ASTM A283/A283M Grade C steel.



JOIN



REPAIR



RESTRAIN



TAP



CENTER RING

- ASTM A53 Grade A steel.

GASKETS

- EPDM compounded per ASTM D2000 for water and sewage, meet international standards for contact with drinking water.

BRIDGE

- Available in AISI 304 or 316 Stainless Steel.

SPHERICAL SPACERS

- Available in AISI 304 or 316 Stainless Steel.

COATING

- 100% fusion bonded epoxy for enhanced corrosion protection.
- Average thickness 14 mm.

NUTS AND BOLTS

- Available in AISI 304 or 316 Stainless Steel. Rolled thread with anti-galling coating.

MUELLER

PRODUCT PERFORMANCE

WORKING TEMPERATURE

- -20° F up to +125° F

DYNAMIC DEFLECTION

- Up to 4° per side

MIN. PIPE INSERTION

- 2.25"

MAXIMUM OFFSET FOR MISALIGNED PIPES

- ND 1.5" - ND 3": 0.39"
- ND 4" - ND 12": 0.51"

MAXIMUM OUT OF ROUNDNESS

- ND 1.5": 0.08"
- ND 2" - ND 3": 0.20"
- 4" - 12": 0.31"

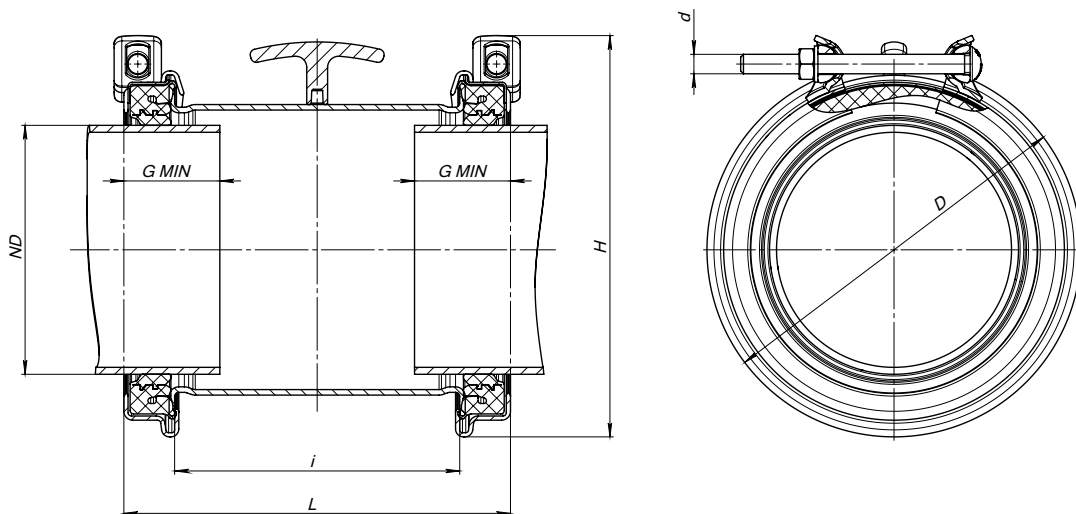
WORKING PRESSURE

- 260 psi

VACUUM TEST

- 12 psi

PRODUCT TABLES



HYMAX[®] 2 NOMINAL SIZES (1.5" - 12")

HYMAX Part Number	ND (inch)	Overall Range (inch)	Range in Closed Gasket Position (inch)	Range in Open Gasket Position (inch)	Bolts Qty.-Size (mm)	Torque (ft-lbs)	Approx. Weight (lbs)	Length (inch)
860-XX-0041-16	1.5	1.61 - 2.13	1.61 - 1.97	1.96 - 2.13	2 - M12	35	5	6.1
860-XX-0054-16	2	2.10 - 3.03	2.10 - 2.60	2.56 - 3.03	2 - M12	50	7.5	6.8
860-XX-0088-16	3	3.46 - 4.33	3.46 - 3.90	3.86 - 4.33	2 - M12	50	10.8	8.8
860-XX-0108-16	4	4.25 - 5.63	4.25 - 5.00	4.92 - 5.63	2 - M14	75	15	8.8
860-XX-0130-16	5	5.12 - 6.38	5.12 - 5.75	5.71 - 6.38	2 - M14	75	19	10.8
860-XX-0163-16	6	6.42 - 7.68	6.42 - 7.05	7.01 - 7.68	2 - M14	75	23	10.8
860-XX-0190-16	7	7.48 - 8.74	7.48 - 8.11	8.07 - 8.74	2 - M14	75	24	10.8
860-XX-0217-16	8	8.54 - 9.84	8.54 - 9.17	9.13 - 9.84	2 - M14	75	28	10.8
860-XX-0272-16	10	10.70 - 12.00	10.70 - 11.37	11.33 - 12.00	2 - M14	75	32	10.8
860-XX-0278-16	10	10.96 - 12.26	10.96 - 11.63	11.59 - 12.26	2 - M14	75	33	10.8
860-XX-0315-16	12	12.40 - 13.66	12.40 - 13.03	12.99 - 13.66	2 - M14	80	39	10.8
860-XX-0334-16	12	13.15 - 14.41	13.15 - 13.78	13.74 - 14.41	2 - M14	80	39	10.8

When XX = 54 - Fasteners are AISI 304SS

When XX = 94 - Fasteners are AISI 316SS

For specific sizes of products in stock, call Mueller for details.

To learn more, visit HymaxUSA.com.

Mueller refers to one or more of Mueller Water Products, Inc., a Delaware corporation ("MWP"), and its subsidiaries. MWP and each of its subsidiaries are legally separate and independent entities when providing products and services. MWP does not provide products or services to third parties. MWP and each of its subsidiaries are liable only for their own acts and omissions and not those of each other. MWP brands include Mueller®, Echologics®, Hydro Gate®, Hydro-Guard®, HYMAX®, Krausz®, Jones®, Mi.Net®, Milliken®, Pratt®, Pratt Industrial®, Singer®, and U.S. Pipe Valve & Hydrant. Please see muellerwp.com/brands to learn more.

© 2021 Mueller Co., LLC. All Rights Reserved. The trademarks, logos and service marks displayed in this document are the property of Mueller Co., LLC, its affiliates or other third parties. Products above marked with a section symbol (§) are subject to patents or patent applications. For details, visit www.mwppat.com. These products are intended for use in potable water applications. Please contact your Mueller Sales or Customer Service Representative concerning any other application(s).

F 14532 PS0047 6/21

