

# HYMAX<sup>®</sup>

a **MUELLER** brand

## HYMAX<sup>®</sup> 2 FLANGE ADAPTOR (1.5" - 12")\* & FLANGE ADAPTOR LONG BODY (1.5" - 12")

### Product Specifications

#### FEATURES

- Advanced wide-range coupling with a patented flip gasket
- Eliminates gasket removal mistakes and maximizes installer work efficiency
- Using the game-changing HYMAX technology, proven in over 1M installations in the US
- Suitable for all types of pipes - ductile iron, cast iron, steel, copper, PE, PVC and AC
- Patented hydraulically-assisted gasket with 2-stage sealing
- Lightweight construction enables fast and easy installation
- Allows 4° dynamic deflection, reducing future pipe damage

#### SPECIFICATIONS STANDARDS

- HYMAX flange adaptor and long body meets or exceeds requirements of standards: AWWA C-219, NSF 61, NSF 372.

#### SIZE

- Available in nominal diameter
- Flange adaptor 1.5" - 12"
- Flange adaptor long 1.5" - 12"

#### MATERIALS FLANGE BODY

- ASTM A53 Grade A steel.

\* Registered Patent

\*\* HYMAX 2 Flange Adaptor only

#### FLANGE

##### F/A

- Meets ANSI B16.5, Class 150.

##### F/A LONG

- 1.5" - 2" Oval flange for flow meter
- 3" Meets ANSI B16.5
- 4" - 12" Meets AWWA Class D

#### END RING

- ASTM A283/A283M Grade C steel.

#### SPHERICAL SPACERS

- Available in AISI 304 or 316\*\* Stainless Steel

#### BRIDGE

- Available in AISI 304 or 316\*\* Stainless Steel

#### GASKET

- EPDM compounded per ASTM D2000 for water and sewage, meets international standards for contact with drinking water.



JOIN



REPAIR



RESTRAIN



TAP

**MUELLER**

## COATING

- 100% fusion bonded epoxy for enhanced corrosion protection.
- Average thickness 14 mm

## NUTS & BOLTS

- Available in AISI 304 or 316\*\* Stainless Steel. Rolled thread with anti-galling coating.

## FLANGE ADAPTOR/FLANGE ADAPTOR LONG

- Flange Adaptor: 1.5" - 12"
- Flange Adaptor Long: 1.5" - 12"

## PRODUCT PERFORMANCE (\*)

### WORKING TEMPERATURE

- EPDM: -20° F up to +125° F

### DYNAMIC DEFLECTION

- Up to 4°

### MIN. PIPE INSERTION

- 2.25"

### MAXIMUM OFFSET FOR MISALIGNED PIPES

#### F/A

- ND 1.5" - 3": 0.20"
- ND 4" - 12": 0.24"

#### F/A LONG

- ND 2" - 3" : 0.20"
- ND 4" - 12": 0.24"

### MAXIMUM OUT OF ROUNDNESS

#### F/A

- ND 1.5: 0.08"
- ND 2" - 3": 0.20"
- ND 4" - 12": 0.31"

#### F/A LONG

- ND 1.5: 0.08"
- ND 2" - 3": 0.20"
- ND 4" - 12": 0.31"

## WORKING PRESSURE

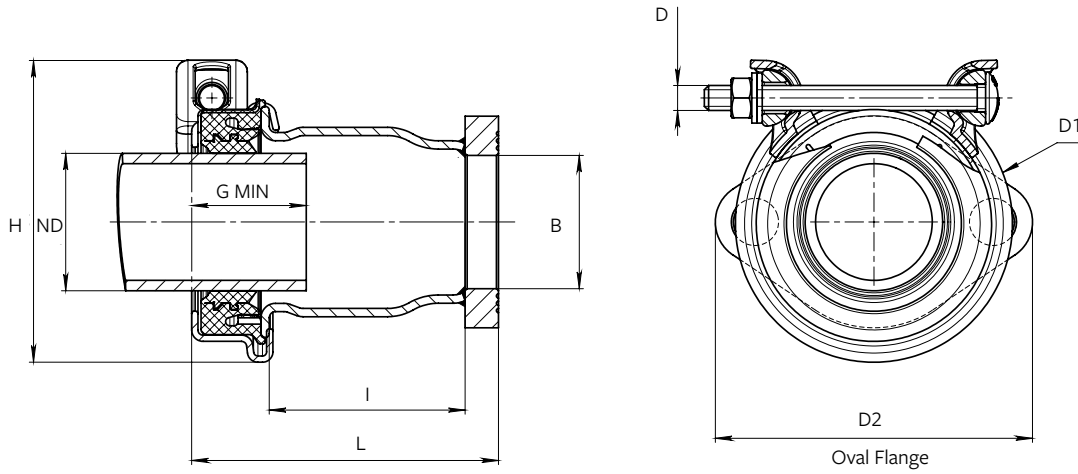
- 175 psi

## VACUUM TEST

- 12 psi

# PRODUCT TABLES

## HYMAX 2 OVAL FLANGE AWWA D 1.5" - 2"



When XX = 54 - Fasteners are AISI 304SS

When XX = 94 - Fasteners are AISI 316SS\*\*

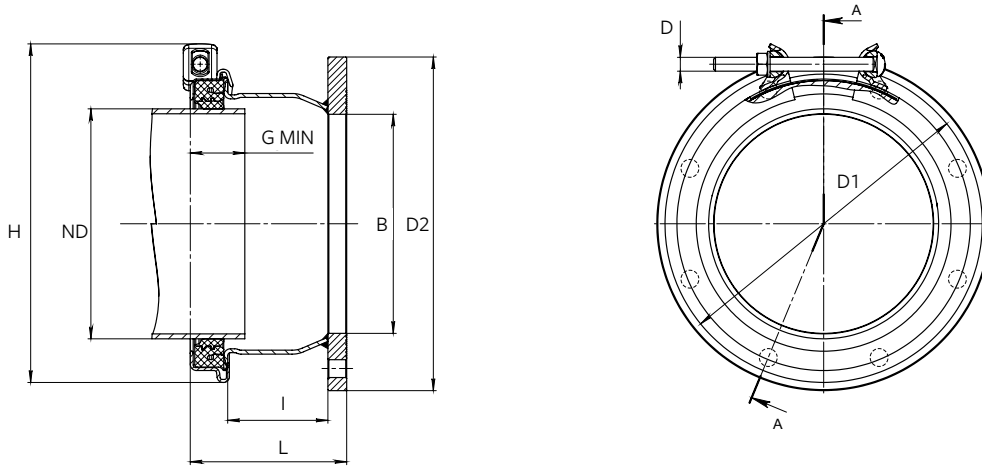
### HYMAX 2 OVAL FLANGE AWWA D 1.5" - 2"

HYMAX Part Number	Nominal Diameter (mm)	Flange (inch)	Overall Range (inch)	Range In Closed Gasket Position (inch)	Range In Open Gasket Position (inch)	D1 (inch)	H (inch)	I (inch)	L (inch)	D2 (inch)	B (inch)	Bolt Qty. and Size	Approx. Torque	Approx. Weight (lbs)
874-XX-01004112	1.5	1.5	1.61 - 2.13	1.61 - 1.97	1.96 - 2.13	Ø3.9	5.0	4.1	5.8	5.4	Ø1.95	1 - M12	35	7
874-XX-02005412	2	2	2.10 - 3.03	2.10 - 2.60	2.56 - 3.03	Ø5.2	5.7	3.7	5.7	6.0	Ø2.44	1 - M12	50	8

\*\* HYMAX 2 Flange Adaptor only

# PRODUCT TABLES

## HYMAX 2 FLANGE ADAPTOR



When XX = 54 - Fasteners are AISI 304SS

When XX = 94 - Fasteners are AISI 304SS\*\*

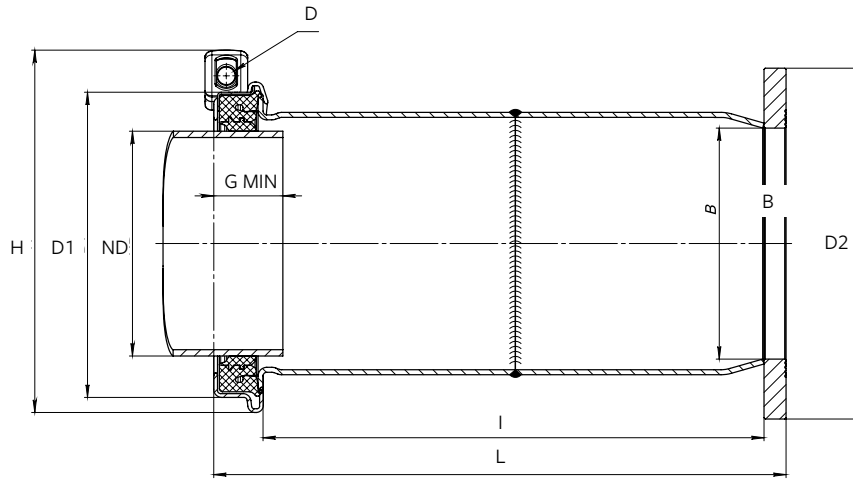
### HYMAX 2 FLANGE ADAPTOR

HYMAX Part Number	Nominal Diameter (mm)	Flange (inch)	Overall Range (inch)	Range In Open Gasket Position (inch)	Range In Closed Gasket Position (inch)	D1 (inch)	H (inch)	I (inch)	L (inch)	D2 (inch)	B (inch)	Bolt Qty. and Size	Approx. Torque (lbs)	Approx. Weight (lbs)
874-XX-03008812	3	3	3.46 - 4.33	3.46 - 3.90	3.86 - 4.33	Ø6.7	7.1	2.9	4.8	Ø7.5	Ø4.02	1 - M12	50	12
874-XX-04010812	4	4	4.25 - 5.63	4.25 - 5.00	4.92 - 5.63	Ø8.7	9.3	2.9	5.1	Ø9.0	Ø5.24	1 - M14	75	14
874-XX-04016312	6	4	6.42 - 7.68	6.42 - 7.05	7.01 - 7.68	Ø10.8	11.3	8.9	11.2	Ø9.0	Ø4.57	1 - M14	75	27
874-XX-05013012	5	5	5.12 - 6.38	5.12 - 5.75	5.71 - 6.38	Ø9.5	10.0	4.0	6.2	Ø10.0	Ø6.14	1 - M14	75	21
874-XX-06010812	4	6	4.25 - 5.63	4.25 - 5.00	4.92 - 5.63	Ø8.7	9.3	2.3	4.6	Ø11.0	Ø7.24	1 - M14	75	20
874-XX-06013012	5	6	5.12 - 6.38	5.12 - 5.75	5.71 - 6.38	Ø9.5	10.0	4.0	6.2	Ø11.0	Ø7.24	1 - M14	75	22
874-XX-06016312	6	6	6.42 - 7.68	6.42 - 7.05	7.01 - 7.68	Ø10.8	11.3	4.0	6.2	Ø11.0	Ø7.24	1 - M14	75	23
874-XX-06021712	8	6	8.54 - 9.84	8.54 - 9.17	9.13 - 9.84	Ø12.9	13.1	4.0	6.2	Ø11.0	Ø7.24	1 - M14	75	36
874-XX-08019012	7	8	7.48 - 8.74	7.48 - 8.11	8.07 - 8.74	Ø11.7	12.2	4.0	6.2	Ø13.5	Ø9.41	1 - M14	75	31
874-XX-08021712	8	8	8.54 - 9.84	8.54 - 9.17	9.13 - 9.84	Ø12.9	13.1	4.0	6.2	Ø13.5	Ø9.41	1 - M14	75	32
874-XX-08027812	10	8	10.96 - 12.26	10.96 - 11.63	11.59 - 12.26	Ø15.3	15.8	9.9	12.2	Ø13.5	Ø9.41	1 - M14	75	46
874-XX-08031512	12	8	12.40 - 13.66	12.40 - 13.03	12.99 - 13.66	Ø16.6	17.5	11.9	14.2	Ø13.5	Ø9.41	1 - M14	75	56
874-XX-08033412	12	8	13.15 - 14.41	13.15 - 13.78	13.74 - 14.41	Ø17.3	18.1	11.9	14.2	Ø13.5	Ø9.41	1 - M14	75	55
874-XX-10027212	10	10	10.70 - 12.00	10.70 - 11.37	11.33 - 12.00	Ø15.0	15.6	4.0	6.2	Ø16.0	Ø11.61	1 - M14	75	38
874-XX-10027812	10	10	10.96 - 12.26	10.96 - 11.63	11.59 - 12.26	Ø15.3	15.8	4.0	6.2	Ø16.0	Ø11.61	1 - M14	75	41
874-XX-12031512	12	12	12.40 - 13.66	12.40 - 13.03	12.99 - 13.66	Ø16.6	17.5	4.0	6.2	Ø19.0	Ø14.02	1 - M14	80	52
874-XX-12033412	12	12	13.15 - 14.41	13.15 - 13.78	13.74 - 14.41	Ø17.3	18.1	4.0	6.2	Ø19.0	Ø14.02	1 - M14	80	57
874-XX-14033412	12	14	13.15 - 14.41	13.15 - 13.78	13.74 - 14.41	Ø17.3	18.1	8.2	10.7	Ø21.0	Ø15.43	1 - M14	80	71

\*\* HYMAX 2 Flange Adaptor only

# PRODUCT TABLES

## HYMAX 2 FLANGE ADAPTOR LONG BODY SIZES 1.5" - 12"



### HYMAX 2 FLANGE ADAPTOR LONG BODY SIZES 1.5" - 12"

HYMAX Part Number	Nominal Diameter (inch)	Flange (inch)	Overall Range (inch)	Range in Closed Gasket Position (inch)	Range in Open Gasket Position (inch)	Bolt Qty. and Size (mm)	Approx. Weight (lbs)	Torque	Length (inch)
974-54-01004112	1.5	1.5	1.61 - 2.13	1.61 - 1.97	1.96 - 2.13	1 - M12	9	35	9.2
974-54-02005412	2	2	2.10 - 3.03	2.10 - 2.60	2.56 - 3.03	1 - M12	10	50	9.5
974-54-03008812	3	3	3.46 - 4.33	3.46 - 3.90	3.86 - 4.33	1 - M12	16	50	13.4
974-54-04010812	4	4	4.25 - 5.63	4.25 - 5.00	4.92 - 5.63	1 - M14	23	75	13.6
974-54-05013012	5	5	5.12 - 6.38	5.12 - 5.75	5.71 - 6.38	1 - M14	30	75	18
974-54-06013012	5	6	5.12 - 6.38	5.12 - 5.75	5.71 - 6.38	1 - M14	33	75	18
974-54-06016312	6	6	6.42 - 7.68	6.42 - 7.05	7.01 - 7.68	1 - M14	36	75	18
974-54-08019012	7	8	7.48 - 8.74	7.48 - 8.11	8.07 - 8.74	1 - M14	42	75	18
974-54-08021712	8	8	8.54 - 9.84	8.54 - 9.17	9.13 - 9.84	1 - M14	49	75	18
974-54-10027212	10	10	10.70 - 12.00	10.70 - 11.37	11.33 - 12.00	1 - M14	56	75	18
974-54-12031512	10	10	10.96 - 12.26	10.96 - 11.63	11.59 - 12.26	1 - M14	60	75	18
974-54-12031512	12	12	12.40 - 13.66	12.40 - 13.03	12.99 - 13.66	1 - M14	61	80	18
974-54-12033412	12	12	13.15 - 14.41	13.15 - 13.78	13.74 - 14.41	1 - M14	63	80	18

**To learn more, visit [HymaxUSA.com](http://HymaxUSA.com).**

Mueller refers to one or more of Mueller Water Products, Inc., a Delaware corporation ("MWP"), and its subsidiaries. MWP and each of its subsidiaries are legally separate and independent entities when providing products and services. MWP does not provide products or services to third parties. MWP and each of its subsidiaries are liable only for their own acts and omissions and not those of each other. MWP brands include Mueller®, Echologics®, Hydro Gate®, Hydro-Guard®, HYMAX®, Krausz®, Jones®, Mi.Net®, Milliken®, Pratt®, Pratt Industrial®, Singer®, and U.S. Pipe Valve & Hydrant. Please see [muellerwp.com/brands](http://muellerwp.com/brands) to learn more.

© 2021 Mueller Co., LLC. All Rights Reserved. The trademarks, logos and service marks displayed in this document are the property of Mueller Co., LLC, its affiliates or other third parties. Products above marked with a section symbol (§) are subject to patents or patent applications. For details, visit [www.mwppat.com](http://www.mwppat.com). These products are intended for use in potable water applications. Please contact your Mueller Sales or Customer Service Representative concerning any other application(s).

F 14533 PS0052 6/21

