



HYMAX[®] COUPLING LONG BODY (14"-60")

HYMAX[®]
Repair the past. Connect the future.

PRODUCT SPECIFICATIONS

FEATURES

- GAME-CHANGING WIDE-RANGE COUPLING, PROVEN IN OVER 1M INSTALLATIONS IN THE US
- SUITABLE FOR ALL PIPES - DUCTILE IRON, CAST IRON, STEEL, COPPER, PE, PVC, AC, GRP
- PATENTED HYDRAULICALLY-ASSISTED GASKET WITH 2-STAGE SEALING
- LONG BODY FOR EXTRA SIZE FLEXIBILITY
- LIGHTWEIGHT CONSTRUCTION ENABLES FAST AND EASY INSTALLATION
- ALLOWS 4° DYNAMIC DEFLECTION ON EACH END, REDUCING FUTURE PIPE DAMAGE
- ONE PRODUCT CAN CONNECT PIPES OF TWO DIFFERENT MATERIALS

SPECIFICATIONS

STANDARDS

HYMAX LONG BODY MEETS OR EXCEEDS STANDARDS NSF 61, NSF 372.

SIZE

AVAILABLE IN NOMINAL DIAMETER FROM 14"-24" STANDARD.
26"-60" MTO (MADE TO ORDER). CALL KRAUSZ FOR DETAILS.

MATERIALS

END RINGS

14" - 16" ASTM A283 / A283M GRADE C STEEL
(OR DUCTILE IRON CASTING ASTM A536 GRADE 60-40-18)
18" - 60" ASTM A283 / A283M GRADE C STEEL.

CENTER RING

14" - 60" ASTM A283 / A283M GRADE C STEEL.

GASKETS

EPDM COMPOUNDED FOR WATER AND SEWERAGE.
MEETS INTERNATIONAL STANDARDS FOR CONTACT WITH DRINKING WATER.

BRIDGE

AISI 304 STAINLESS STEEL.

SPHERICAL SPACERS

AISI 304L STAINLESS STEEL.

COATING

100% FUSION BONDED EPOXY FOR ENHANCED CORROSION PROTECTION.
NOMINAL THICKNESS 14 MIL.

NUTS AND BOLTS

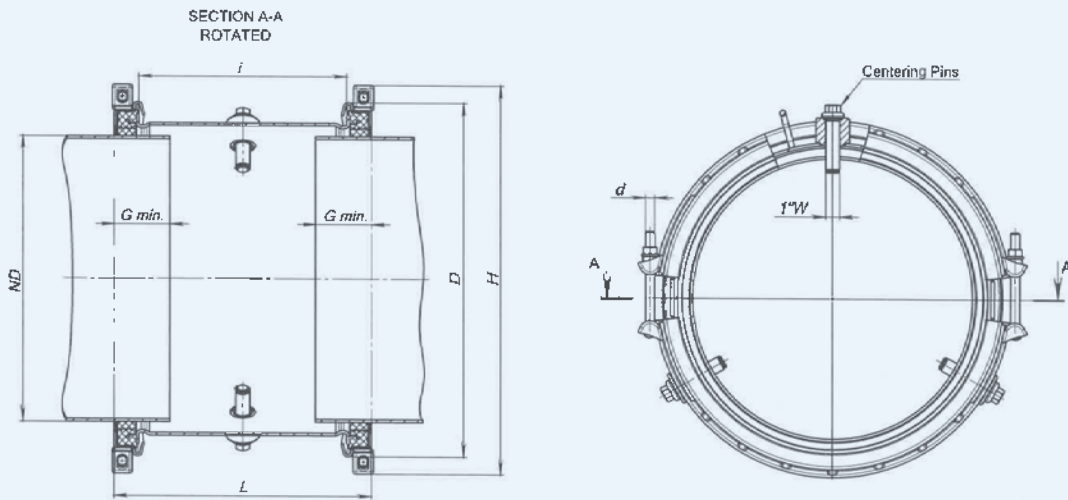
AISI 304 STAINLESS STEEL. ROLLED THREAD AND ANTI-GALLING COATING.

PRODUCT PERFORMANCE (*)

WORKING TEMPERATURE	-20°F UP TO +125°F.		
DYNAMIC DEFLECTION	UP TO 4° PER SIDE.		
MIN. PIPE INSERTION	26" - 60" 5.9"		
MAXIMUM OUT OF ROUNDNESS	14" - 60" 0.51"		
WORKING PRESSURE	14" - 16" 260 PSI	18" - 24" 232 PSI	26" - 60" CALL KRAUSZ FOR DETAILS.
RATED PRESSURE	14" - 16" 390 PSI	18" - 24" 350 PSI	26" - 60" CALL KRAUSZ FOR DETAILS.
VACUUM TEST	12 PSI		

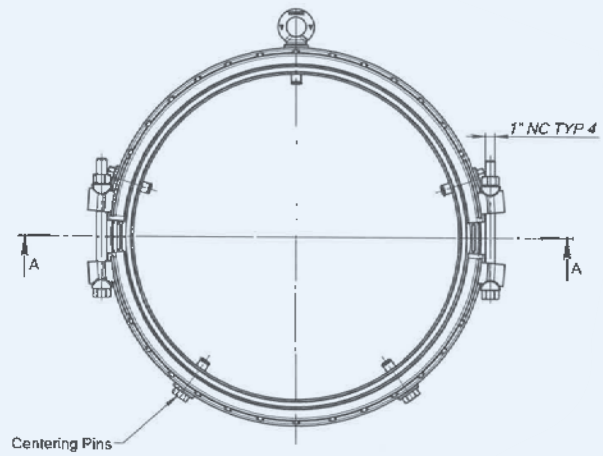
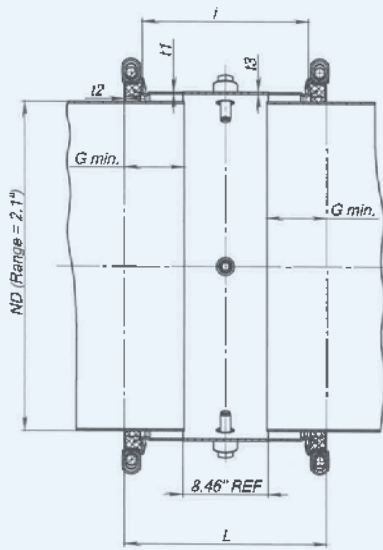
* SEE SUBMITTAL DRAWINGS FOR DETAILS.

PRODUCT TABLES



HYMAX LONG BODY NOMINAL SIZES 14"-24"

Krausz Part Number	Nominal Diameter (inch)	Overall Range (inch)	Before removal of the inner layer (inch)	After removal of the inner layer (inch)	Bolts Num. and Size (mm)	Torque (Ft-Lbs)	Working Pressure (PSI)	Rated Pressure (PSI)	Approx. Weight (Lbs)
862-56-0378-16P	14	15.00-17.10	15.00-16.10	16.02-17.10	4 -M16	150	260	390	107
862-56-0434-16P	16	17.10-19.20	17.10-18.19	18.11-19.20	4 -M16	150	260	390	123
862-56-0488-16P	18	19.20-21.30	19.20-20.29	20.21-21.30	4 -M16	150	232	350	132
862-56-0497-16P	20	19.60-21.70	19.60-20.69	20.61-21.70	4 -M16	150	232	350	136
862-56-0540-16P	20	21.25-23.35	21.25-22.35	22.27-23.35	4 -M16	150	232	350	141
862-56-0606-16P	24	23.85-25.95	23.85-24.96	24.88-25.95	4 -M16	150	232	350	158
862-56-0624-16P	24	24.60-26.70	24.60-25.67	25.59-26.70	4 -M16	150	232	350	163



SECTION A-A
ROTATED

HYMAX LONG BODY NOMINAL SIZES 26"-60"

Krausz Part Number	Nominal Diameter (inch)	Overall Range (inch)	Before removal of the inner layer (inch)	After removal of the inner layer (inch)	Torque (Ft-Lbs)	Working Pressure (PSI)	Rated Pressure (PSI)	Approx. Weight (Lbs)
862-56-0800-09P	30	31.50-33.60	31.50-32.60	32.50-33.60	250	130	195	256
862-56-0963-07P	36	37.90-40.00	37.90-39.00	38.90-40.00	300	110	165	278
862-56-1116-06P	42	43.90-46.00	43.90-45.00	44.90-46.00	300	95	142	335
862-56-1280-05P	48	50.40-52.50	50.40-51.50	51.40-52.50	350	80	120	342
862-56-1552-05P	60	61.10-63.20	61.10-62.20	62.10-63.20	350	65	97	405

HYMAX[®]

Repair the past. Connect the future.

 **KRAUSZ** is the creator of HYMAX

331 SW 57TH AVENUE, OCALA, FLORIDA 34474

TEL: 855-457-2879 | 855-4KRAUSZ

FAX: 352-304-5787

info@krauszusa.com | www.krauszusa.com

This product is protected under a registered patent. See Krausz USA website for details. Copyright © 2017 Krausz Industries Ltd., All rights reserved