



HYMAX[®] TAPPED CLAMP (4"-24")

HYMAX[®]
Repair the past. Connect the future.

PRODUCT SPECIFICATIONS

NOTE: HYMAX Tapping Clamp sizes 4"-12" have one closing mechanism. Sizes 14"-24" have two closing mechanisms.

FEATURES

- EASY TO INSTALL – STARTING WITH ONLY 2 BOLTS
- STAINLESS STEEL, LIGHTWEIGHT MONOBLOCK DESIGN
- WIDE-RANGE, REPLACES UP TO 3 STANDARD PRODUCTS
- STRONG AND ANTI-CORROSION RESISTANT
- SUITABLE FOR ALL PIPE TYPES
- DURABLE EPDM GASKET
- AVAILABLE IN NPT AND CC THREADED OUTLETS

SPECIFICATIONS

STANDARDS

ALL PRODUCTS MEET OR EXCEED STANDARDS AWWA C230, NSF-61 AND NSF-372.

SIZES

AVAILABLE IN NOMINAL DIAMETER FROM 4"-24":

ND SIZES 4"-12" ARE AVAILABLE IN PRODUCT LENGTHS 9", 15"

ND SIZES 14"-24" ARE AVAILABLE IN PRODUCT LENGTH 15"

MATERIALS

BODY

AISI 304 STAINLESS STEEL.

PRESSURE-ASSISTED GASKET

EPDM COMPOUNDED FOR WATER AND SEWERAGE. MEETS NSF-61 AND NSF-372 FOR CONTACT WITH DRINKING WATER.

GASKET BRIDGE

AISI 304 STAINLESS STEEL.

COMPRESSION BEAM

AISI 304 CASTING (ASTM-A351-CF8).

ADJUSTING PIN

AISI 304 CASTING (ASTM-A351-CF8).

LUGS

POLYCARBONATE.

NUTS AND BOLTS

AISI 304 STAINLESS STEEL. ROLLED THREAD AND ZINC-BASED ANTI-GALLING COATING.

Thread Tap NPT/CC

AISI 304 STAINLESS STEEL

Plug 3/4" CC

(FOR PRODUCTS WITH PLUG) AISI 304 STAINLESS STEEL

PRODUCT PERFORMANCE (※)

WORKING TEMPERATURE -20°F UP TO +180°F

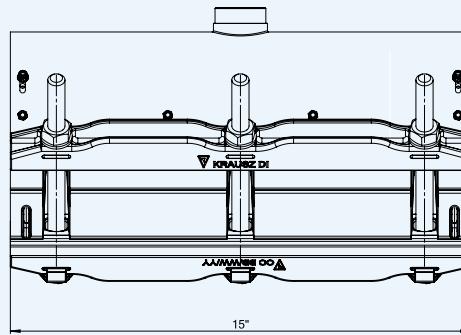
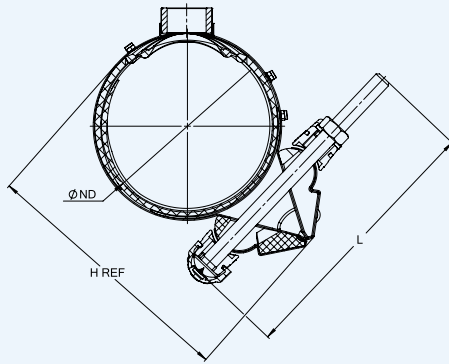
WORKING PRESSURE 150 PSI

RATED PRESSURE 225 PSI

* CONTACT KRAUSZ FOR DETAILS.

PRODUCT TABLES

HYMAX Tapped Repair Clamp 4"-12" - Outlet Thread Tap NPT/CC - Length 15"

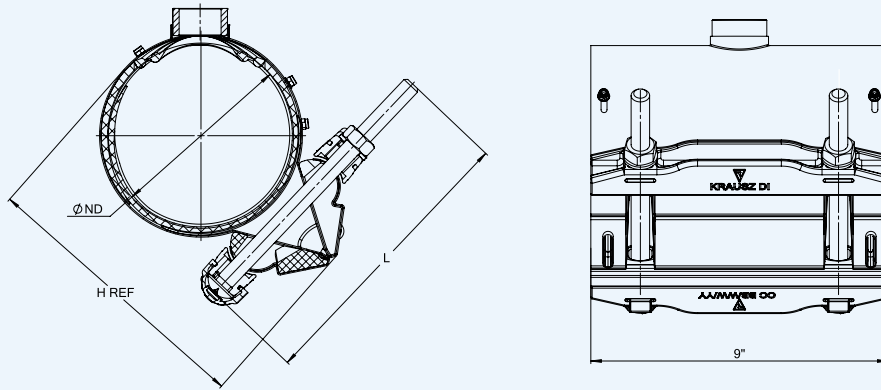


Krausz Part Number	ND (inch)	Range (inch)	H (inch)	NPT Outlet Size	CC Outlet Size	Bolts Qty.-Size d(mm)	Bolts Length L (inch)	Torque (Ft-Lbs)		
238-56-0113-100C-10	4"	4.45-4.84	8.0	/	1"	3-M14	8.27	75		
238-56-0120-075C-10	4"+5"	4.72-5.12	8.4	/	3/4"	3-M14	8.27	75		
238-56-0120-100C-10				/	1"					
238-56-0120-200C-11				2"	/					
238-56-0132-100C-10	5"	5.20-5.60	9.0	/	1"	3-M14	8.27	80		
238-56-0167-100C-10	6"	6.60-7.40	10.3	/	1"	3-M14	8.27	80		
238-56-0174-075C-10		6.84-7.84	10.6	/	3/4"					
238-56-0174-100C-10		/	1"							
238-56-0174-200N-10		2"	/							
238-56-0198-100C-10	8"	7.80-8.60	11.5	/	1"	3-M14	8.27	95		
238-56-0218-100C-10		8.60-9.40	12.4	/	1"					
238-56-0228-075C-10		9.00-9.80	12.8	/	3/4"					
238-56-0228-100C-10				/	1"					
238-56-0228-200N-10				2"	/					
238-56-0272-075C-10	10"	10.73-11.53	14.6	/	3/4"	3-M14	8.27	135		
238-56-0272-100C-10				/	1"					
238-56-0272-200N-10				2"	/					
238-56-0288-100C-10				11.35-12.15	15.2				/	1"
238-56-0288-200N-10									2"	/
238-56-0323-075C-10	12"	12.75-13.55	16.7	/	3/4"	3-M16	9.45	150		
238-56-0323-100C-10				/	1"					
238-56-0323-200N-10				2"	/					
238-56-0345-100N-10				13.60-14.40	17.5				/	1"
238-56-0345-200N-10									2"	/

HYMAX Tapped Repair Clamp 4"-12" - Outlet Thread Tap NPT/CC - Length 15"

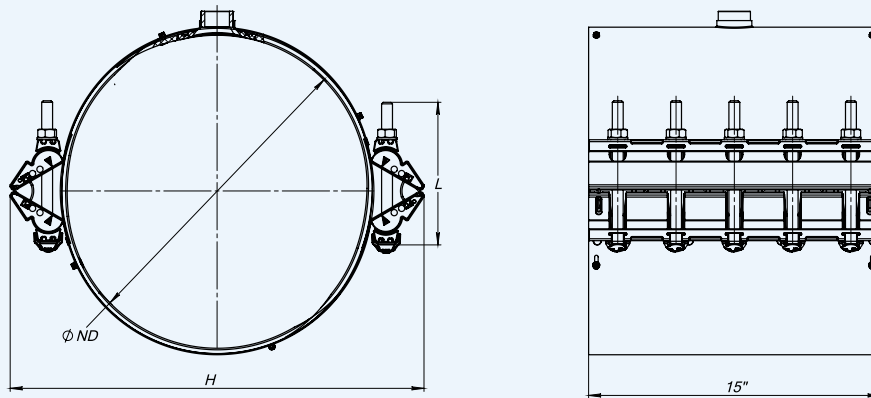
Krausz Part Number	ND (inch)	Range (inch)	H (inch)	CC Outlet Size	Bolts Qty.-Size d(mm)	Bolts Length L (inch)	Torque (Ft-Lbs)
238-56-0120-075C-10-P	4"+5"	4.72-5.12	8.4	3/4"	3-M14	8.27	75
238-56-0174-075C-10-P	6"	6.84-7.64	10.6	3/4"	3-M15	8.27	80
238-56-0228-075C-10-P	8"	9.00-9.80	12.8	3/4"	3-M14	8.27	95
238-56-0272-075C-10-P	10"	10.73-11.53	14.6	3/4"	3-M14	8.27	135
238-56-0323-075C-10-P	12"	12.75-13.55	16.7	3/4"	3-M16	9.45	150

HYMAX Tapped Repair Clamp 6"-8" - Outlet Thread Tap NPT/CC - Length 9"



Krausz Part Number	ND (inch)	Range (inch)	H (inch)	NPT Outlet Size	CC Outlet Size	Bolts Qty.-Size d(mm)	Bolts Length L (inch)	Torque (Ft-Lbs)
235-56-0167-0100C-10	6"	6.60-7.40	10.3	/	1"	2-M14	8.27	80
235-56-0167-0200N-10				2"	/			
235-56-0174-0100C-10	8"	6.84-7.64	10.6	/	1"			
235-56-0218-0100C-10				/	1"			

HYMAX Tapped Repair Clamp - Outlet Thread Tap CC Length 15"



Krausz Part Number	ND (inch)	Range (inch)	H (inch)	CC Outlet Size	Bolts Qty.-Size d(mm)	Bolts Length L (inch)	Torque (Ft-Lbs)
238-56-0415-075C-10	16"	16.33-17.93	23.8	3/4"	10-M16	7.1	105
238-56-0649-075C-10	24"	25.54-27.14	33.3	3/4"	10-M16	7.1	105

* HYMAX Tapped Repair Clamp - Outlet Thread Tap 3/4" CC Length 15" with Plug – same specifications except addition of plug

Krausz Part Number	ND (inch)	Range (inch)	H (inch)	CC Outlet Size	Bolts Qty.-Size d(mm)	Bolts Length L (inch)	Torque (Ft-Lbs)
238-56-0415-075C-10-P	16"	16.33-17.93	23.8	3/4"	10-M16	7.1	105
238-56-0649-075C-10-P	24"	25.54-27.14	33.3	3/4"	10-M16	7.1	105