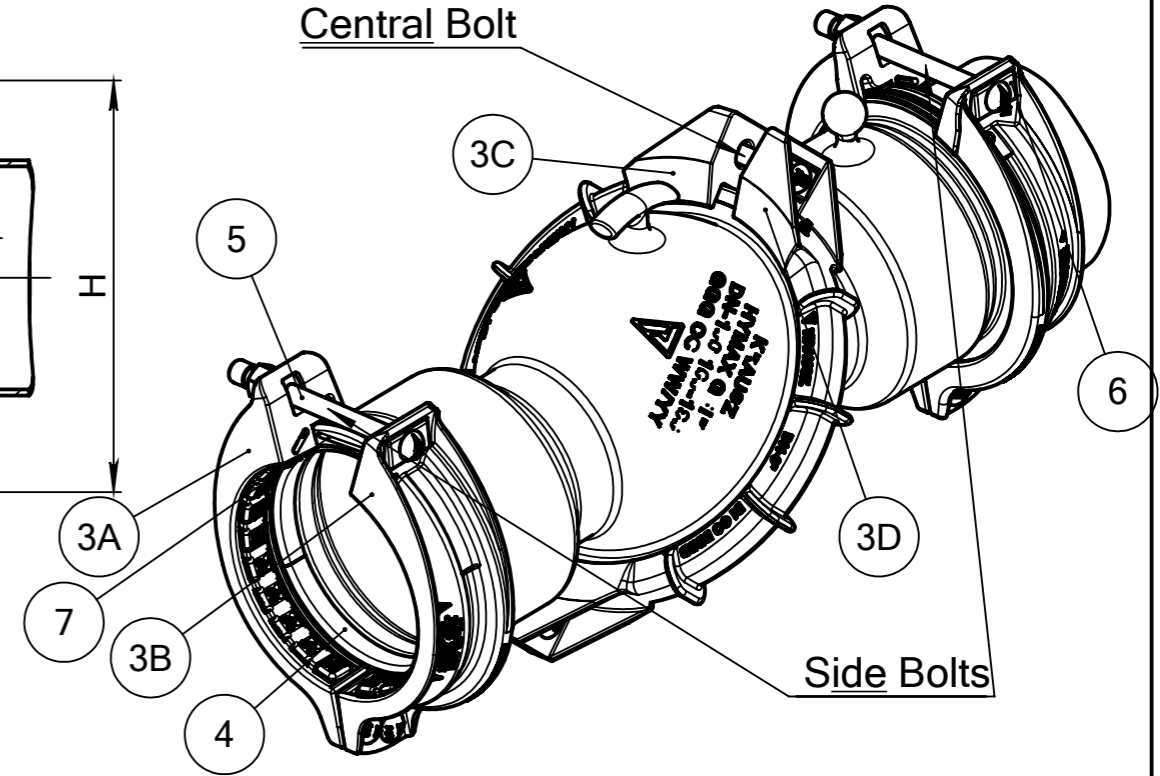
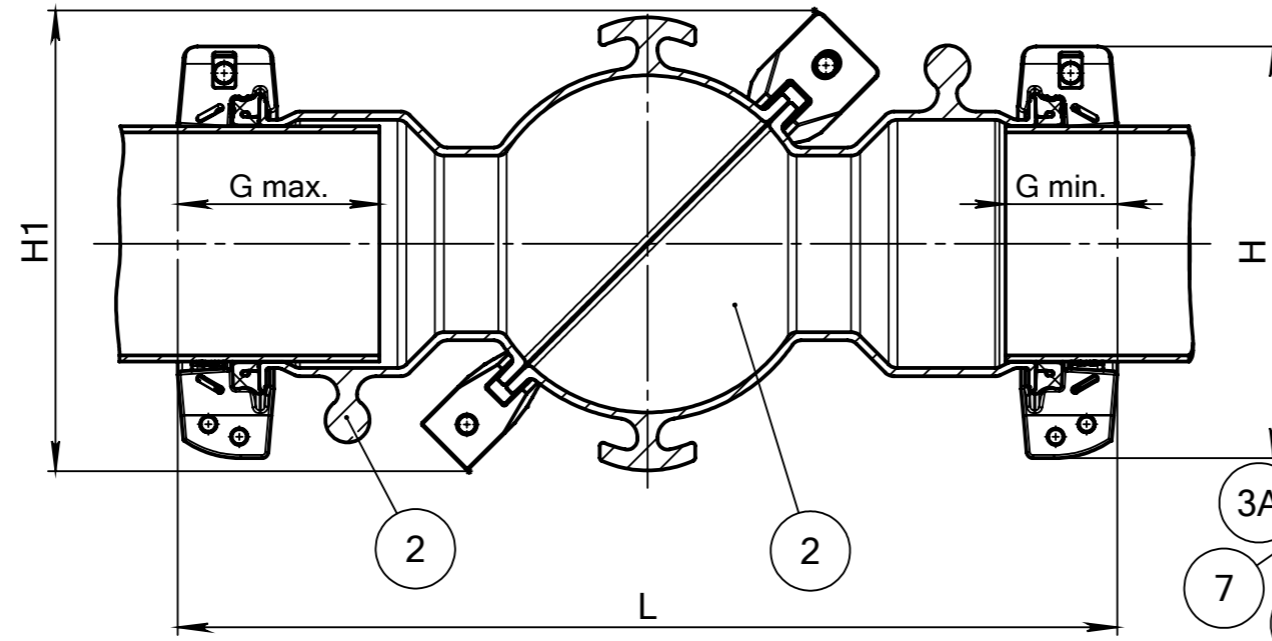
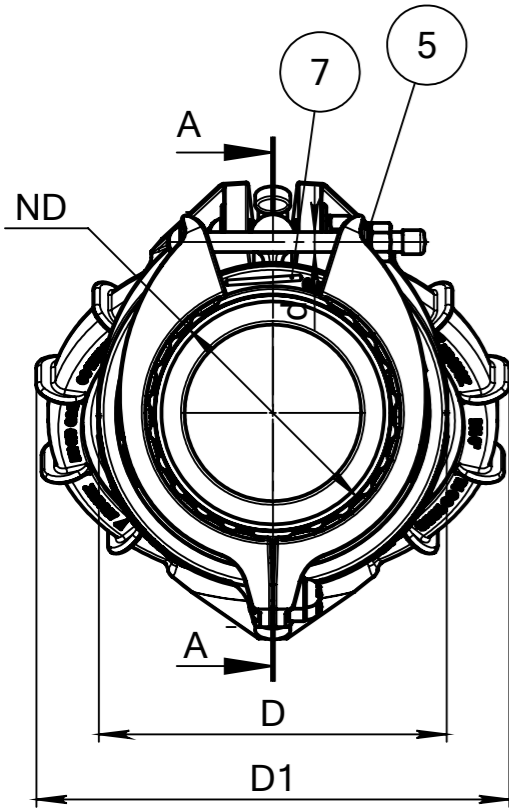


REVISIONS					
REV	DESCRIPTION	ECO	DRAWN	APPROVED	DATE
G	Adding product 12"	PRR00042	Galina E.	Tzah Gr.	16/09/2018



Material information:

- 1) HYMAX GRIP meets and exceeds standards: AWWA C219, NSF-61 and NSF-372.
- 2) Center rings(bodies) - Ductile iron casting ASTM A536 grade 65-45-12.
- 3) End Rings - Couple of parts(A-part and B-part) and Center Locking Rings-Couple of parts(C-part and D part) made of Ductile iron casting ASTM A536 grade 60-40-18.
- 4) Gaskets - EPDM compounded for water and sewerage, meets international standards for contact with drinking water.
Working Temperature:
for continuous operations: -20°F up to +180°F.
for short time operations: up to +215°F.
- 5) Bolts, Nuts and Washers - AISI 304 stainless steel.
Rolled thread and anti galling coating.
- 6) Spherical spacers - AISI 304 stainless steel.
- 7) Bridges - AISI 304 stainless steel.
- 8) Coating - 100% Fusion bonded epoxy for enhanced corrosion protection.
Average thickness 14 Mil.
Working Temperature:
above ground applications: up to +125°F.
under ground applications: up to +150°F.

Product performance	
Dynamic deflection per side	up to 4°
G - Min. pipe Insertion	3.6"
G - Max. pipe Insertion	see table
Maximum out of roundness	0.16"
MAX ΔT for HDPE pipes SDR9	see table*
Working Pressure (for HDPE pipes see table*)	232 PSI
Rated Pressure (for HDPE pipes see table*)	350 PSI
Vacuum Test	12 PSI

Krausz part number	ND (inch)	Overall Range	L (inch)	D (inch)	H (inch)	D1 (inch)	H1 (inch)	G max (inch)	Bolts Qty.-Size d (inch)	Torque (ft-lbs) one central bolt	Torque (ft-lbs) two side bolts	Approx Weight (Lb)
892-56-04111-16	4	4.40-5.10	25.3	8.7	10.6	12.4	12.2	6.1	3 - 5/8	45	90	71
892-56-06165-16	6	6.50-7.20	29.3	10.9	12.9	14.8	14.2	6.9	3 - 5/8	60	110	98
892-56-08216-16	8	8.50-9.40	31.7	13.8	15.7	16.4	15.4	6.7	3 - 3/4	60	200	145
892-56-10270-16	10	10.65-11.55	33.3	16.2	18.2	18.4	17	6.9	3 - 3/4	60	200	183
892-56-12322-16	12	12.68-13.39	39.8	17.4	19.8	23.9	21	7.5	3 - 3/4	110	200	270

*HDPE Pipe IPS+DIS			
ND (inch)	Working Pressure (PSI)	Rated Pressure (PSI)	max ΔT for SDR9 (°F)
4	232	350	85
6	232	350	85
8	193	290	50
10	163	245	50
12	155	232	35

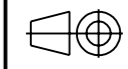
Material: See Material Information		Weight: SEE TABLE		Part Name: HYMAX GRIP SWIVELJOINT (Lalo) 4"-12"		Scale -
UNLESS OTHERWISE SPECIFIED: DIMENSIONS ARE IN MILLIMETERS SURFACE FINISH: N7 GENERAL TOLERANCES: LINEAR: 0-50 -±0.2 50-100 -±0.5 100-500 -±1.0 ANGULAR: -±0.5° HOLES: 0-10 -+0.2/-0.05 HOLES: 10+ - GEN.TOL. HOLES PLACES: -±0.05		Date	Name	Catalog No. SD892-56-01		DO NOT SCALE DRAWING
		Design	07/09/2016	Andrei K.	Drawing No. SD892-56-01	
		Check	19/09/2016	Galina E.		
Appr.		19/09/2016	Tzah Gr.	Sheet 1 of 1		

RELEASED

BREAK SHARP EDGES AND CORNERS, DEBURR



Confidential Information. All rights reserved to Krausz Industries Ltd. This document may not be copied, reproduced, displayed, modified or used in any way, whether in whole or in part, without the express prior written consent of Krausz Industries Ltd.



Size
A3